

D Series – High Flow

- ▶ MOPD: 900 PSI
- ▶ C_v Range: 0.045 to 0.880
- ▶ 10 Watts

For maximum flow in a miniature solenoid valve the D Series valves delivers a wide range of C_v values and maximum operating pressures. The D Series is also available in multiple body materials, seal materials, coil constructions, voltages, and wattages. Proven to perform for millions of cycles without failure, the D valve—as with the entire valve series—is ideal for manifold configurations, sub-assemblies, and complete fluidic systems. The D Series is the largest in a progression—A Series, B Series, and C Series—of the highly flexible, modular design, (general purpose) valves.

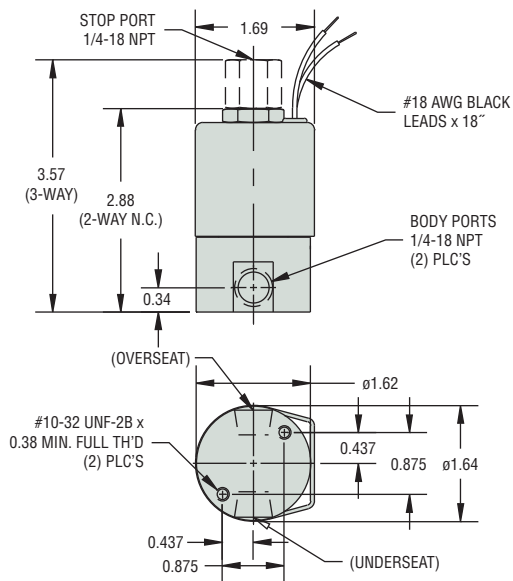


Typical Applications

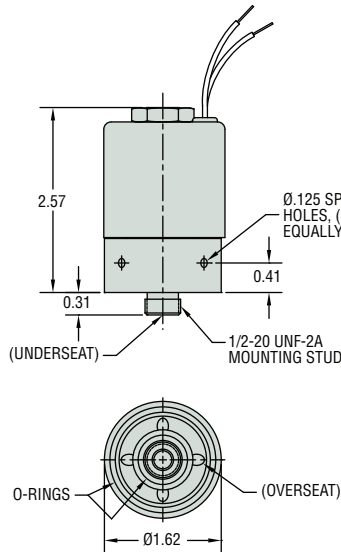
- Agriculture
- Defense
- Sterilization Equipment
- Industrial Automation

Dimensions

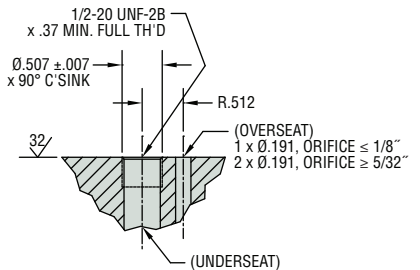
Threaded Port Body



Manifold Mount Body

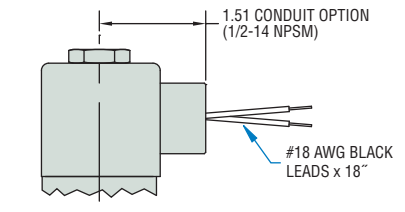


MANIFOLD MATING DIMENSIONS



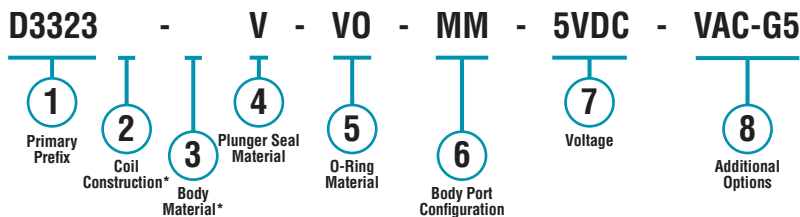
Alternate 1/2" Conduit Housing

Available on all body configurations



How To Order

Use the **Bold** characters from the choices listed on the following page to construct a product code.



* Blank entry indicates a "Standard" selection (Tape-wrapped, Class-B, with 18" lead-wires and 430F Stainless Steel, in this case).

Example:

D3323-V-VO-MM-5VDC-VAC-G5

3-Way Multi Purpose (with 1.26 Conduit Option) solenoid valve, with tape-wrapped, Class-B, with 18" lead-wires, 430F stainless steel body, Viton® plunger seal, Viton® o-ring, manifold mount (1/2-20 UNF-2A mounting stud, max. orifice = 14"), operating at 5 VDC, and includes vacuum application (0 to 29.5" Hg) and one piece 316 stainless steel guide assembly options.

Part Prefix Table ①

	Orifice		MOPD (psig)	C _v		① Primary Prefix	
	Body	Stop		Body	Stop	Grommet Housing	Conduit Housing
2-WAY N.C.	3/64	—	900	0.045	—	D2011	D2021
	1/16	—	650	0.080	—	D2012	D2022
	3/32	—	350	0.150	—	D2013	D2023
	1/8	—	225	0.210	—	D2014	D2024
	5/32	—	130	0.380	—	D2015	D2025
	3/16	—	85	0.430	—	D2016	D2026
	1/4	—	50	0.700	—	D2017	D2027
	5/16	—	20	0.850	—	D2018	D2028
	3/8	—	10	0.880	—	D2019	D2029
2-WAY N.O.	—	3/64	900	—	0.045	D2211	D2221
	—	1/16	550	—	0.080	D2212	D2222
	—	5/64	300	—	0.110	D2213	D2223
	—	3/32	175	—	0.150	D2214	D2224
	—	1/8	110**	—	0.210	D2215	D2225
	—	5/32	60**	—	0.380	D2216	D2226
3-WAY N.C. Free Vent	1/16	1/16	175	0.080	0.080	D3011	D3021
	5/64	5/64	150	0.110	0.110	D3012	D3022
	3/32	3/32	125	0.150	0.150	D3013	D3023
	1/8	1/8	85**	0.210	0.210	D3014	D3024
	5/32	5/32	45**	0.380	0.380	D3015	D3025
	3/16	5/32	30**	0.430	0.380	D3016	D3026
	1/4	5/32	10**	0.700	0.380	D3017	D3027
3-WAY N.C. Line Connection	1/16	1/16	175	0.080	0.080	D3111	D3121
	5/64	5/64	150	0.110	0.110	D3112	D3122
	3/32	3/32	125	0.150	0.150	D3113	D3123
	1/8	1/8	85**	0.210	0.210	D3114	D3124
	5/32	5/32	45**	0.380	0.380	D3115	D3125
	3/16	5/32	30**	0.430	0.380	D3116	D3126
	1/4	5/32	10**	0.700	0.380	D3117	D3127
3-WAY N.O.	1/16	1/16	200	0.080	0.080	D3211	D3221
	5/64	5/64	175	0.110	0.110	D3212	D3222
	3/32	3/32	150	0.150	0.150	D3213	D3223
	1/8	1/8	100**	0.210	0.210	D3214	D3224
	5/32	5/32	50**	0.380	0.380	D3215	D3225
	3/16	5/32	35**	0.430	0.380	D3216	D3226
	1/4	5/32	15**	0.700	0.380	D3217	D3227
3-WAY Multi Purpose	1/16	1/16	160	0.080	0.080	D3311	D3321
	5/64	5/64	130	0.110	0.110	D3312	D3322
	3/32	3/32	110	0.150	0.150	D3313	D3323
	1/8	1/8	75**	0.210	0.210	D3314	D3324
	5/32	5/32	40**	0.380	0.380	D3315	D3325
	3/16	5/32	25**	0.430	0.380	D3316	D3326
	1/4	5/32	10**	0.700	0.380	D3317	D3327
3-WAY Directional Control	1/16	1/16	225	0.080	0.080	D3411	D3421
	5/64	5/64	185	0.110	0.110	D3412	D3422
	3/32	3/32	150	0.150	0.150	D3413	D3423
	1/8	1/8	110**	0.210	0.210	D3414	D3424
	5/32	5/32	60**	0.380	0.380	D3415	D3425
	3/16	5/32	40**	0.430	0.380	D3416	D3426
	1/4	5/32	20**	0.700	0.380	D3417	D3427

** DC or rectified coil only

② Coil Construction

(blank) = Tape-wrapped, Class-B, with 18" lead-wires*
W = Tape-wrapped coil, lead-wires, non-standard length (specify in inches)
1 = Encapsulated coil, Class-B, lead-wires
2 = Molded coil, Class-F, lead-wires
3 = Encapsulated coil, Class-H, lead-wires
4 = Encapsulated coil, Class-B, 1/4" spade terminals
10 = Externally rectified coil (lead-wires only)
11 = Tape-wrapped coil, Class-H, lead-wires
HC = Encapsulated coil, Class-B, EN175301-803 Style A, Industrial, 18mm, 2+1 poles
HC2 = Encapsulated coil, Class-B, EN175301-803 Style C, Industrial, 9.4mm, 2+1 poles

③ Body Material

(blank) = 430F Stainless Steel*
BB = Brass
SB1 = 303 Stainless Steel
SB5 = 316 Stainless Steel

④ Plunger Seal Material

(blank) = Nitrile*
E = EPR
GV = Gasoline Viton® (2-way normally open and 3-way valves max. orifice = 3/32")
N = Neoprene (2-way normally closed valves only, max. orifice = 1/4")
NS = Nitrile (NSF/FDA, max. orifice = 1/4")
PF = Perfluoroelastomer (max. orifice = 1/4")
R = Rulon® (2-way normally closed valves only, max. orifice = 1/4")
T = PTFE (max. orifice = 1/4")
V = Viton®

⑤ O-Ring Material

(blank) = Nitrile*
EO = EPR
NO = Neoprene
NSO = Nitrile (NSF/FDA, 2-way valves only)
PFO = Perfluoroelastomer
TO = PTFE
VO = Viton®

⑥ Body Port Configuration

(blank) = 1/4-18 NPT female thread*
LC = 1/8-27 NPT female thread (max. orifice = 5/16")
LD = 3/8-18 NPT female thread
LT = 1/8-28 BSPT female thread (max. orifice = 5/16")
LU = 1/4-19 BSPT female thread
MM = Manifold mount (1/2-20 UNF-2A mounting stud, max. orifice = 1/4")††
OB = Omit body (operator style)
BI = Bottom over-seat port, female thread (max. orifice = 1/4")
BO = Bottom under-seat port, female thread

⑦ Voltage† (see note below)

___ **VDC** = DC (specify voltage)
 ___ **VAC** = AC (specify voltage; includes copper shading ring)

⑧ Additional Options

WM = Mounting bracket on the coil housing
TP = PTFE coated plunger
CP = Chamfered plunger
QO = Quiet operation (2-way valves only)
S = Silver shading ring
OC = Cleaned for oxygen use
VAC = Vacuum application (0 to 29.5" Hg)
G5 = One piece 316 Stainless Steel guide assembly

* Standard selection; will be used unless otherwise specified. Standard selections are not referenced in final part number.

† Can be AC rectified without shading ring. Use coil construction Code 10.
 †† Teflon® o-ring not suitable for manifold mount.