

1239 Series High Speed Counter

Additive operation – unique for mechanical predetermining counters. Resets to zero, counts up with output at a preset number. One set of wheels shows the current count, while a second set is used for quick and easy preset. Repeat operation for the same preset number, after manual reset.

Series 1239 provides economical control for many industrial operations – and it's easy to install and use. When used with our accessory one-foot measuring wheels, it's perfect for unattended material length control applications.



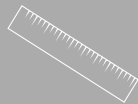
- Heavy duty base-mount enclosure
- Highly visible white-on-black wheels
- Unobtrusive gray preset wheels
- 5 figures – count and preset to 99,999
- Form-c output contacts with high current rating
- Operation up to 5000 counts per minute
- Preset is retained for next operation after reset
- Protective hinged cover gives easy access to presets
- Dust- and lint-resistant construction
- 1/4 inch (6.35 mm) shaft accepts standard measuring wheel



TIME



COUNT



MEASURE

8:43

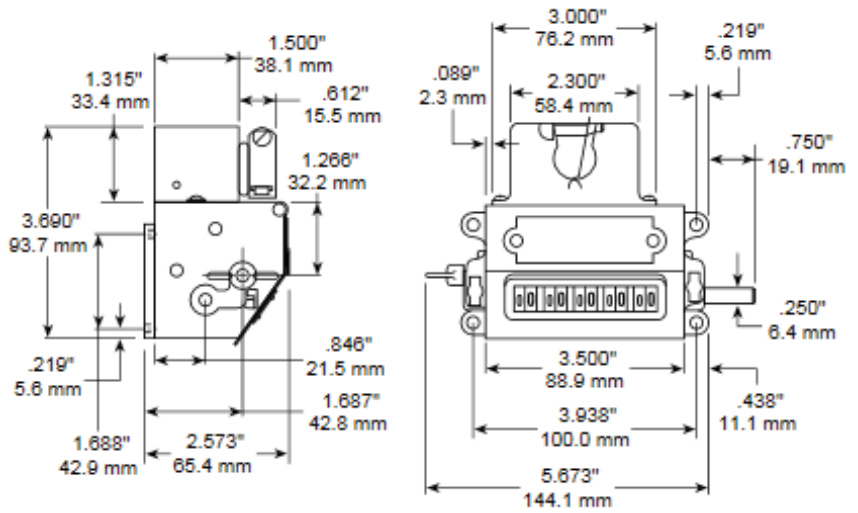
DISPLAY

1239 Series High Speed Counter

SPECIFICATIONS

DRIVES	Geared drive, adds one count for each drive shaft revolution; will not subtract past zero
SPEED	2500 rpm or 5000 cpm whichever is limiting
TORQUE	Max static 4 oz-in. (2.83 N.cm) for 1:1 gearing
CONTACT CAPACITY	Manufacturer's switch rating: 1/2 hp at 230 VAC, 20 amp at 115 VAC, 15 amp at 230 VAC, 3 amp at 460 VAC, 0.4 amp at 115 VAC, 0.2 amp at 230 VDC; SPDT switch
NUMBER OF FIGURES	5
SIZE OF FIGURES	Counting: 0.206" (5.23mm) high X 0.150" (3.81mm) wide Predetermining: 0.165" (4.19mm) high X 0.120" (3.05mm) wide
COLOR OF FIGURES	Counting: White on black Predetermining: Gray with molded recessed figures
RESET	Manual, resets to preset number
LUBRICATION	Periodic
MOUNTING	Base mount with switch at back
CONSTRUCTION	Case: Zamak Drive Shaft: Chrome plated steel Cover: Steel Gears: Brass and chrome plated steel Wheels, Pinions: Acetal resin
WEIGHT	2 lb., 9 oz. (1.16 kg)

DIMENSIONS



ORDERING INFORMATION

Standard Models

123915-681	Clockwise Rotation, Left Shaft
123925-686	Counterclockwise Rotation, Left Shaft
123935-689	Counterclockwise Rotation, Right Shaft
123945-696	Clockwise Rotation, Right Shaft

Special variations may be available. Please consult factory.

