

## Introduction

Your Veeder-Root brand S628 DC Process is one model in a family of 1/8 DIN units which offers breakthrough display technology as well as easy-to-program single-line parameters. Designed to provide instant visual feedback regarding an application's key input value, the S628 not only has a 0.71" high LED display (27% larger than other 1/8 DIN units), but also the ability to change display color based on process status (programmable parameter in Operation Mode). Easy programming is made possible via a help function and a secondary legend display.

This manual will guide you through the installation and wiring of your S628 unit with information on proper panel mounting and rear terminal layout and wiring instructions. In addition, the instrument's operation, programming, and configuration modes are thoroughly explained. The Operation Mode provides day to day operation and allows editing of preset values. The Program Mode enables the configuration of various parameters prior to initial operation. These parameters include those for basic configuration as well as other settable features which will enhance the functionality and usability of the device. The Configuration Mode allows selection of how outputs and special functions are utilized.

This manual also provides information on the S628 DC Process' alarms; transistor, relay, and linear outputs; product specifications; and ordering and warranty procedures.



### Features

- AWESOME 0.71" high digit LED display
- Programmable color change display based on an event
- Programmable help function and secondary legend display
- High and low alarm outputs
- mA inputs to 50mA, DCV inputs to  $\pm 10$  Volts and  $\pm 100$  mV
- Tare function
- Standard outputs: two NPN transistors & one relay (optional 2nd relay)
- 100 ms sample time with 0.03% accuracy
- Optional RS-485 plug in card
- CE approved

### Index

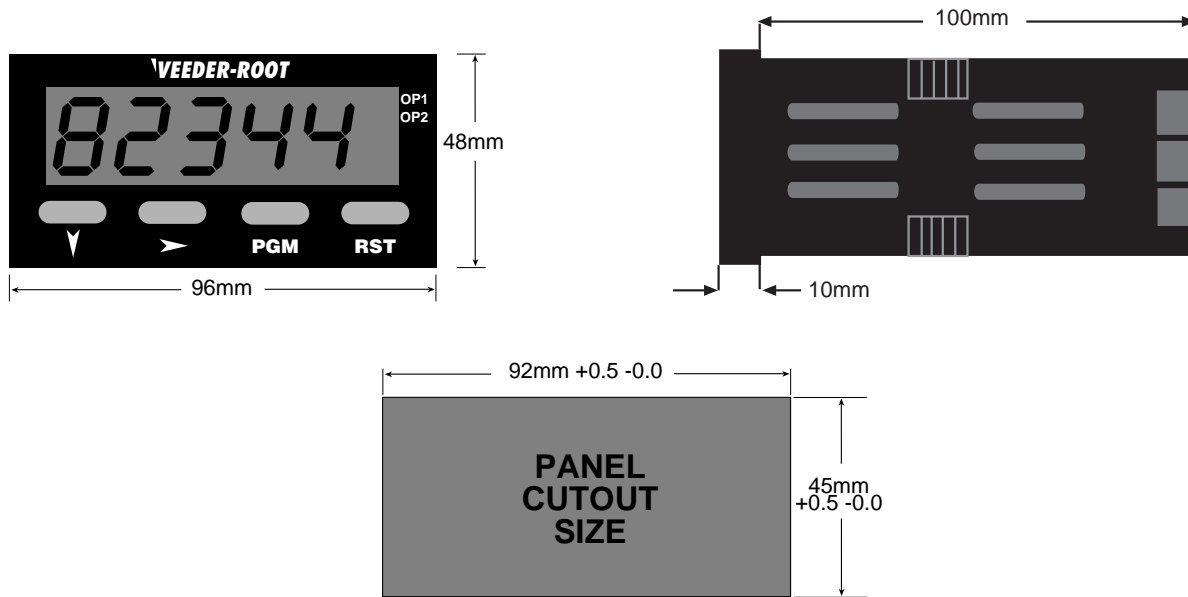
Installation	
Panel Mounting	page 2
Wiring	page 3
Operation	
Front Panel	page 4
Operation Mode	page 5-6
Programming	
Program Mode	page 7-10
Configuration	
Configuration Mode	page 11-14
Appendix A	
Specifications	page 15
General	
Ordering Information	page 16
Warranty	page 16

**Technical Manual**  
**702139-0002**

**Veeder-Root brand**  
**Series S628**  
**DC Process**  
**(S628-2XXX)**

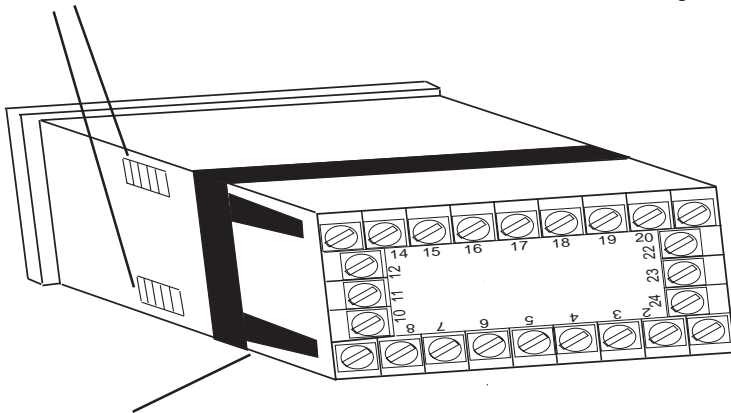
# INSTALLATION

## PANEL MOUNTING



The instrument can be mounted in a panel with a thickness of up to 6mm. The cutout(s) should be made based on the recommended panel opening illustrated in the drawing above.

### Mounting Grooves



Insert the unit in the panel through the cutout. Ensure that the panel gasket is not distorted and the instrument is positioned squarely against the panel. Slide the mounting clamp into place on the instrument, as shown to the left, and push it forward until it is firmly in contact with the rear face of the mounting panel and the tabs on the bracket arm are seated in the mounting grooves on the side of the unit.

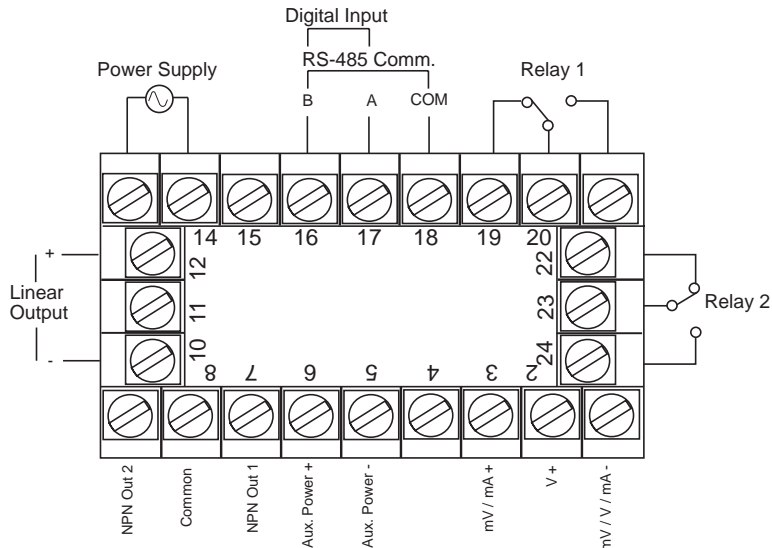
The electronic components of the instrument can be removed from the housing after installation without disconnecting the wiring. To remove the components, grip the side edges of the panel and pull the instrument forward. Take note of orientation of the unit for subsequent replacement in the housing.

### Bracket Arm

# INSTALLATION

## WIRING

### REAR TERMINAL CONNECTIONS



### Control/Digital Inputs

A digital input board, which utilizes Terminals #16 & #17, can be installed as an option. The input can be programmed in Configuration Mode to perform one of two functions:

- *Tare*: When activated, the unit will create an automatic offset by referencing the currently measured value as the new zero point.

- *Security*: When activated, the Program and Calibration Modes will not be accessible from the front panel.

Please note that this option is mutually exclusive with the RS-485 serial communication option.

### Transistor Outputs

Your unit comes standard with 2 NPN outputs which are activated by each of the alarms. Transistor Output 1, which is tied to Alarm 1, is on Terminal #7. Transistor Output 2, which is tied to Alarm 2, is on Terminal #9. Terminal #8 serves as the common connection for both transistor outputs.

### Relay Outputs

Your unit comes standard with a relay output which is tied to Alarm 1. Terminal #19 is NC, Terminal #20 is common, and Terminal #21 is NO. A second relay output tied to the operation of Alarm 2 can be added as an option at the time of order or later installed in the field. Terminal #22 is NC, Terminal #23 is common, and Terminal #24 is NO.

### DC Inputs

Your unit accepts millivolt, Volt, or milliamp DC ranges. Terminal #1 is used for mV, V, or mA negative inputs. Terminal #2 is used for V positive inputs, while Terminal #3 is used for mV or mA positive inputs.

### Input Power

For an AC powered unit, Terminal #13 serves as the line or Hot side connection for AC powered units and as the positive side for DC powered units. The neutral side for AC powered units and the negative side for DC powered units are connected to Terminal #14.

### Serial Communication

An RS-485 communication board, utilizing ASCII protocol, can be installed as an option. Terminals #16 & #17 serve as the B and A connections respectively, while Terminal #18 is connected as the common.

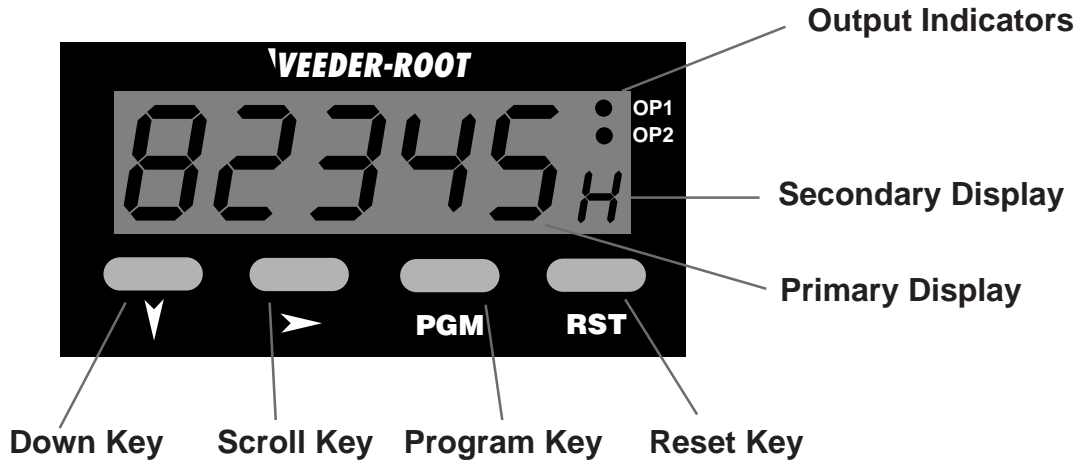
### Linear Output

An option board may be installed that provides a 10 bit linear output signal relative to the Process Value. Terminal #12 is the positive side of the connection, and Terminal #10 is the negative side. The default range of the output is 4-20 mA, but can be changed via the Configuration Mode to 0-20 mA, 0-10 VDC, 2-10 VDC, 0-5 VDC, or 1-5 VDC.

**Terminals 4, 11, & 15 are not used.**

# OPERATION

## FRONT PANEL



### Key Functions

Key	Function
Down	<i>In Operation Mode:</i> Used in Edit Operation to decrement the digit highlighted by the Scroll key. <i>In Program &amp; Config. Modes:</i> Used in Edit Operation to decrement the digit highlighted by the Scroll key, if the setting is a numerical value, or present the next in the series of choices for that parameter.
Scroll	<i>In All modes:</i> Moves the unit into Edit Operation, which is indicated by the left most digit flashing. Successive presses of the key are used to move to the digit to be edited. Wrap around will occur from least significant digit to most significant digit.
Program	<i>In Operation Mode:</i> Used to move between the process value display & the presets and to enter an edited preset value. Holding the key down for 3 seconds will cause the unit to enter Program Mode. <i>In Program Mode:</i> Used to move from one parameter to the next and enter the edited parameter values. Holding the key down for 3 seconds will cause the unit to return to Operation Mode. <i>In Config. Mode:</i> Used to move from one parameter to the next and enter the edited parameter values.
Reset	<i>In Operation Mode:</i> Resets a latched alarm if pressed while the process value is being viewed. Pressing this key while viewing the max or min value will cause those values to be reset. <i>In Program &amp; Config. Modes:</i> No function.
Down & Scroll	<i>In All modes:</i> Will abort an Edit Operation and return the preset/parameter to its previous value.

### Key Functions

Key	Function
Down & Program	<i>In Config. mode:</i> Holding down both keys for 3 seconds will cause the unit to return to Operation Mode. <i>In Operation &amp; Program Modes:</i> Holding down both keys for 3 seconds will cause the unit to enter to Config. Mode.

### Display Functions

Key	Function
Primary	<i>In Operation Mode:</i> Default display is the Process Value. Can be scrolled using the program key to display other Operation Mode values. If the "Help" function is enabled, this display will first show the parameter description for 3 seconds (example - page 6). <i>In Program &amp; Config. Modes:</i> Displays the value or selection for the current parameter. If the "Help" function is enabled, this display will first show the parameter description for 3 seconds (example - page 7).
Secondary	<i>In Operation Mode:</i> Provides an alpha or numeric identification of the value on the primary display. This display is blank when the Process Value is being shown. <i>In Program &amp; Config. Modes:</i> Provides a 1 digit alpha or numeric character to indicate which parameter value is being shown on the primary display.
Output Indicators	<i>In Operation Mode:</i> Illuminates when Output 1 and or Output 2 is active. <i>In Program &amp; Config. Modes:</i> No function.

# OPERATION

## OPERATION MODE

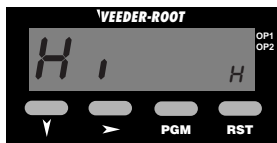
### CHANGING A PRESET VALUE



Default display is the process value.



Pressing the Program Key will cause the display description to appear on the main display.\* If there is no key activity for 3 seconds, the primary display will switch back to the process value.



**Maximum (High) Value:** Displays the maximum process value the unit has received as an input. The value can be reset (only while being displayed) by pressing the Reset Key.



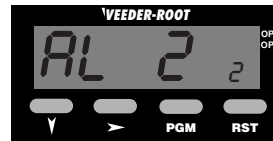
**Minimum (Low) Value:** Displays the minimum process value the unit has received as an input. The value can be reset (only while being displayed) by pressing the Reset Key.



**Alarm 1 Elapsed Time:** Displays the accumulated amount of time the alarm 1 condition was present. This value will continue to accumulate until it is reset by pressing the Reset Key (while the value is being displayed). The value is displayed in mm:ss up to 99 min 59 secs., then changes over to mmm.m



**Alarm 1 Value:** Defines the process value at or above which Alarm 1 will activate if set to Process High Alarm in Configuration Mode or the process value at or below which Alarm 1 will be active if set to Process Low Alarm in Configuration Mode. The default value is 100.00



**Alarm 2 Value:** Defines the process value at or above which Alarm 2 will activate if set to Process High Alarm in Configuration Mode or the process value at or below which Alarm 2 will be active if set to Process Low Alarm in Configuration Mode. The default value is 100.00



**Total:** Displays the total value based upon integration of the input signal using a programmable time base. The value can be reset (only while being displayed) by pressing the Reset Key.

\* Parameter descriptions will not appear on the primary display if the "Help" function has been disabled.

# OPERATION

## OPERATION MODE *Continued*

### OTHER OPERATING DISPLAYS



**Over Range Display:** Appears if the process value becomes higher than the input full scale value.



**Sensor Break Display:** Appears if the unit does not receive an input signal for two seconds.



**Under Range Display:** Appears if the process value becomes lower than the input full scale value.

### CHANGING AN ALARM VALUE



Default display is the the Process Value.



Use the Scroll Key to move from left to right and highlight the digit that needs to be changed. Wrap around will occur from the least significant to the most significant digit.

PGM 5 Times



From the Process Value display, scroll through the other Operation Mode values until Alarm 1 appears.\*



Use the Down Key to decrement the digit until the desired value appears. The display will wrap around from 0 to 9.

PGM PGM



To change the Alarm value, press the Scroll Key. If there was no key activity for 3 seconds, the Alarm value will appear (one digit description shown on secondary display); however, press the Scroll Key in order to edit. The unit will now be in Edit Operation as signified by the most significant digit flashing.\*\*



After the desired digits have been changed, press the Program Key to enter the new value. The new value will appear on the main display without any flashing digits. Press the Program Key again and the parameter description will appear on the main display.

\* Parameter descriptions will not appear on the primary display if the "Help" function has been disabled.

\*\* Edit Operation cannot be accessed if the Preset Lock has been enabled in Program Mode.

# PROGRAMMING

## PROGRAM MODE

### ENTERING PROGRAM MODE AND BASIC OPERATION

The Program Mode can be accessed from the Operation Mode by holding the Program Key for 3 seconds.



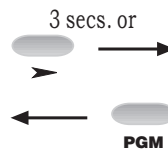
 for 3 seconds

The name of the first parameter will appear on the primary display.\*

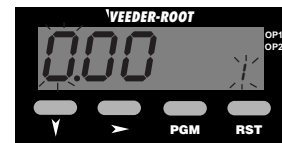


 PGM

Successive presses of the Program Key will scroll the display through the remaining parameters in the Program Mode. To exit Program Mode, hold the Program Key for 3 seconds.



### Edit Operation



Pressing the Scroll Key or no key activity for 3 seconds will display the value for that parameter. The secondary display will indicate the one digit identifier for the parameter. The digit in the secondary display will flash to indicate the unit is in Program Mode. If the Scroll Key was pressed (instead of waiting 3 seconds), the unit is in Edit Operation, as indicated by the MSD flashing. If there had been no key activity for 3 seconds, press the scroll key to enter Edit Operation (MSD flashing). Use the scroll and edit buttons to change the value as in Operation Mode, described on page 6. Press the Program Key to enter any changes.

\* Parameter names will not appear on the main display if the "Help" function has been disabled in Program Mode.

### PARAMETER SEQUENCE



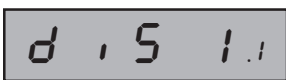
 PGM

#### Scaling Point 1

*Function:* Sets the first sensor input value point which will be used in establishing a curve for scaling sensor inputs into engineering unit values. Pressing the Reset Key will serve as a teach function and input the sensor value currently being read

*Adjustment Range:* -19999 to 99999

*Default Value:* 0.00



 PGM

#### Display Point 1

*Function:* Provides the engineering unit value that will be displayed corresponding to the sensor input value set in the Scaling Point 1 parameter

*Adjustment Range:* -19999 to 99999

*Default Value:* 0.00

# PROGRAMMING

## PROGRAM MODE Continued



### Scaling Point 2

*Function:* Sets the second sensor input value point which will be used in establishing a curve for scaling sensor inputs into engineering unit values. Pressing the Reset Key will serve as a teach function and input the sensor value currently being read

*Adjustment Range:* -19999 to 99999

*Default Value:* 99999



### Display Point 2

*Function:* Provides the engineering unit value that will be displayed corresponding to the sensor input value set in the Scaling Point 2 parameter

*Adjustment Range:* -19999 to 99999

*Default Value:* 100.00

### The scaling process can be repeated up to a total of 10 scale and display points.

*Scale and display points will continue to be offered (up to 10 total) so long as 99999 (the maximum adjustment range) has not been selected as a scaling point.*



### Decimal Position

*Function:* Sets the position of the decimal point for use in displaying the process and alarm values

*Adjustment Range:* 0 to 0.000

*Default Setting:* 0.00



### Retransmission Scale Minimum *(Appears only if a retransmission output has been enabled in Configuration mode)*

*Function:* Defines the lower end of the linear scale for the retransmission output by defining the value equated to the minimum output signal

*Adjustment Range:* -19999 to 99999

*Default Value:* 0.00



### Retransmission Scale Maximum *(Appears only if a retransmission output has been enabled in Configuration mode)*

*Function:* Defines the upper end of the linear scale for the retransmission output by defining the value equated to the maximum output signal

*Adjustment Range:* -19999 to 99999

*Default Value:* 100.00



# PROGRAMMING

## PROGRAM MODE Continued

o f f 0



### Process Variable Offset

*Function:* Corrects a known offset of the input in order to more accurately display the process value

*Adjustment Range:* -19999 to 99999

*Default Value:* 0.00

F i l t F



### Input Filter Time

*Function:* Filters the input over a user definable time period to minimize the effect on the Process Value of any extraneous impulses

*Adjustment Range:* 0.0 (Off) to 100.0

*Default Value:* 2.0

A d d r A



### Communication Address *(Appears only if communication board is installed and activated)*

*Function:* Defines the unique communication address of the instrument

*Adjustment Range:* 1 to 99

*Default Value:* 1

b A u d b



### Baud Rate *(Appears only if communication board is installed and activated)*

*Function:* Selects the serial communication speed

*Adjustment Range:*

1200

1200 BPS

2400

2400 BPS

4800

4800 BPS

9600

9600 BPS

*Default Value:* 4800

C o l o r 0



### Display Color Change

*Function:* Defines the color of the display for prior to and after the preset value is reached

*Adjustment Range:*

r E d

Red: The display will always be red

G r E E n

Green: The display will always be green

G n \_ r d

Green to Red: The display will be green when no alarm condition is present. It will turn red when either alarm is active

r d \_ G n

Red to Green: The display will be red when no alarm condition is present. It will turn green when either alarm is active

*Default Value:* Green to Red

# PROGRAMMING

## PROGRAM MODE Continued



Lock r



PGM

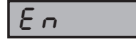


HELP h

### Alarm Lock

*Function:* Determines whether the Alarm Values can be changed via the front panel

*Adjustment Range:*



En



d.S

Enable: Alarm values can be viewed and changed

Disabled: Alarm values are read only

*Default Value:* Enable

### Help Prompt

*Function:* Determines whether the multi-character parameter name will appear on the main display for 3 seconds prior to the parameter value appearing

*Adjustment Range:*



HLP Y



HLP N

Help - Yes: Multi-character parameter descriptions will appear on the primary display. The value associated with that parameter will appear by pressing the scroll key or waiting for 3 seconds

Help - No: Only the parameter values will appear on the primary display. The parameter can be identified by a single digit in the secondary display

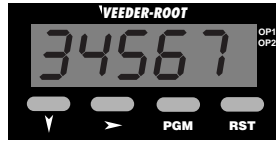
*Default Value:* Help - Yes

# CONFIGURATION

## CONFIGURATION MODE

### ENTERING CONFIGURATION MODE AND BASIC OPERATION

The Configuration Mode can be accessed from the Operation Mode by holding the Down and Program Keys for 3 seconds.



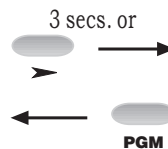
for 3 seconds

The name of the first parameter will appear on the primary display.\*



PGM

Successive presses of the Program Key will scroll the display through the remaining parameters in the Configuration Mode. To exit Configuration Mode, hold the Down and Program Keys for 3 seconds.



### Edit Operation



Pressing the Scroll Key or no key activity for 3 seconds will display the value for that parameter. The secondary display will indicate the one digit identifier for the parameter. The digit in the secondary display will flash to indicate the unit is in Configuration Mode. If the Scroll Key was pressed (instead of waiting 3 seconds), the unit is in Edit Operation, as indicated by the MSD flashing. If there had been no key activity for 3 seconds, press the scroll key to enter Edit Operation (MSD flashing). Use the scroll and edit buttons to change the value as in Operation Mode, described on page 6. Press the Program Key to enter any changes.

\* Parameter names will not appear on the main display if the "Help" function has been disabled in Program Mode.

### PARAMETER SEQUENCE



#### Input Range

Function: Selects the DC input range

Adjustment Range:



0-20 mA



4-20 mA



10-50 mA



0-5 Volts DC



1-5 Volts DC



0-10 Volts DC



2-10 Volts DC



±100 mV



±1 Volts DC



±10 Volts DC



PGM

# CONFIGURATION

## CONFIGURATION MODE *Continued*

F r E 9 F

### Power Supply Frequency

*Function:* Although the instrument is designed to handle either 50 or 60 Hz inputs automatically, to ensure proper filtering of the input signal, it is necessary to set the input frequency of the primary input power

*Adjustment Range:*

50

50 Hz

60

60 Hz

*Default Value:* 60



AL 1 1

### Alarm 1 Type

*Function:* Sets the action of the alarm to one of the following choices:

*Adjustment Range:*

P\_H i

*Process High:* Alarm will activate when the process value equals or exceeds the Alarm 1 setting

P\_L o

*Process Low:* Alarm will activate when the process value equals or is less than the Alarm 1 setting

n o n E

*No Alarm:* Alarm 1 will be activate

*Default Value:* Process High Alarm



AL 2 2

### Alarm 2 Type

*Function:* Sets the action of the alarm to one of the following choices:

*Adjustment Range:*

P\_H i

*Process High:* Alarm will activate when the process value equals or exceeds the Alarm 2 setting

P\_L o

*Process Low:* Alarm will activate when the process value equals or is less than the Alarm 2 setting

n o n E

*No Alarm:* Alarm 2 will be activate

*Default Value:* No Alarm



# CONFIGURATION

## CONFIGURATION MODE *Continued*

Out 1 u

### Output 1 Usage

*Function:* Determines how the transistor and relay for output 1 will operate

*Adjustment Range:*

A 1 n d

*Alarm 1, Non latching, Direct Action:* The output will be On when Alarm 1 is activate, and turn Off once the Alarm 1 condition is no longer present

A 1 n r

*Alarm 1, Non latching, Reverse Action:* The output will be On when Alarm 1 is inactive, and turn Off when the Alarm 1 condition is present

A 1 L d

*Alarm 1, Latching, Direct Action:* The output will be On when Alarm 1 is activate, and turn Off only when reset via the front panel

A 1 L r

*Alarm 1, Latching, Reverse Action:* The output will be On when Alarm 1 is inactive, and turn Off only when reset via the front panel

O 1 2 d

*Logical OR of Alarm 1 & 2, Direct Action:* The output will be On when a logical OR condition between Alarm 1 and Alarm 2 is present

O 1 2 r

*Logical OR of Alarm 1 & 2, Reverse Action:* The output will be On when a logical OR condition between Alarm 1 and Alarm 2 is not present

*Default Value:* Alarm 1, Non latching, Direct Action



Out 2 u

### Output 2 Usage

*Function:* Determines how the transistor and relay for output 2 will operate

*Adjustment Range:*

A 2 \_ d

*Alarm 2, Direct Action:* The output will be On when Alarm 2 is activate, and turn Off once the Alarm 2 condition is no longer present

A 2 \_ r

*Alarm 2, Reverse Action:* The output will be On when Alarm 2 is inactive, and turn Off when the Alarm 2 condition is present

O 1 2 d

*Logical OR of Alarm 1 & 2, Direct Action:* The output will be On when a logical OR condition between Alarm 1 and Alarm 2 is present

O 1 2 r

*Logical OR of Alarm 1 & 2, Reverse Action:* The output will be On when a logical OR condition between Alarm 1 and Alarm 2 is not present

*Default Value:* Alarm 2, Direct Action



# CONFIGURATION

## CONFIGURATION MODE *Continued*

rt Ent

### Retransmission Output

*Function:* Selects the range of the retransmission output

*Adjustment Range:*

none

None

0-5v

0-5 Volts DC

0-10v

0-10 Volts DC

0-20A

0-20 mA

4-20A

4-20 mA

*Default Value:* None



PGM

Optn

### Option Selection

*Function:* Determines the function of the board installed in the option slot

*Adjustment Range:*

none

No Input

Security

*Security:* When the digital input is active, the Program and Configuration Modes cannot be accessed

TARE

*Tare:* When the digital input is activated the currently measured value is zeroed out and will remain as a constant offset

Comm

*Communication:* The slot will be used for RS-485 communication

*Default Value:* None

tot t

### Totalizer Scale Factor

*Function:* Sets the time base used for the totalization calculation. This value should be set the same as the time base used for the engineering units which appear on the display. Ex: If the display is calibrated to display GPM, set the Totalizer scale factor to minutes

*Adjustment Range:*

Sec

Seconds

min

Minutes

hr

Hours

*Default Value:* Seconds

# A P P E N D I X A

## SPECIFICATIONS

### Process Input

Range:	To 50 mA, $\pm 10$ Volts DC, $\pm 100$ mV
Accuracy:	$\pm 0.01\%$ of span
Sample Rate:	100 ms
Resolution:	14 bits
Sensor Break:	Detected within 2 seconds

### Control Inputs

Type:	Sourcing, Edge Sensitive
Logic:	Low $\leq 2.0$ VDC, High $\geq 3.0$
Impedance:	4.7 K $\Omega$ to +Voltage - Sourcing
Response Time:	25 ms
Function:	Programmable

### Outputs

Solid State:	NPN open collector, 30 VDC max, 100 mA max.
Relay:	SPDT, 5A resistive @ 110VAC
Latency:	75 $\mu$ seconds, plus 8 ms for relay pull-in

### Linear Outputs

Ranges:	0-20mA, 4-20mA, 0-10V, 2-10V, 0-5V, 1-5V
Accuracy:	$\pm 0.25\%$ (mA at 250 $\Omega$ , V at 2k $\Omega$ ); degrades linearly to $\pm 0.5\%$
Resolution:	8 bits in 250ms (10 bits in 1s typ.)
Update:	Approximately 4/s
Load Impedence:	mA Ranges: 500 $\Omega$ max.; V Ranges: 500 $\Omega$ min.

### Approvals

General:	CE
EMC Susceptibility:	Complies with EN50082-1: 1992, EN50082-1, 1995
EMC Emissions:	Complies with EN50081-1: 1992, EN50081-2: 1994
Safety:	Complies with EN61010-1: 1993

### Communication

Type:	Serial asynchronous, UART to UART
Data Format:	Open ASCII: One start bit, even parity seven data bits, one stop bit
Physical Layer:	RS-485
Maximum Zones:	99
Baud Rate:	Selectable from 9600, 4800, 2400, or 1200

### Electrical

Supply Voltage:	90-264 VAC, 50/60 Hz, or 20-50 VAC/VDC
Power Consumption:	4 Watts
Access. Power Supply:	24 VDC @ 30 mA

### Display

Type:	Red/Green, 7 segment LED, 5 digits primary display, single digit secondary display
Height:	0.71" (18mm) primary display, 0.3" (7mm) secondary display
Annunciators:	Output 1 & 2 status

### Physical

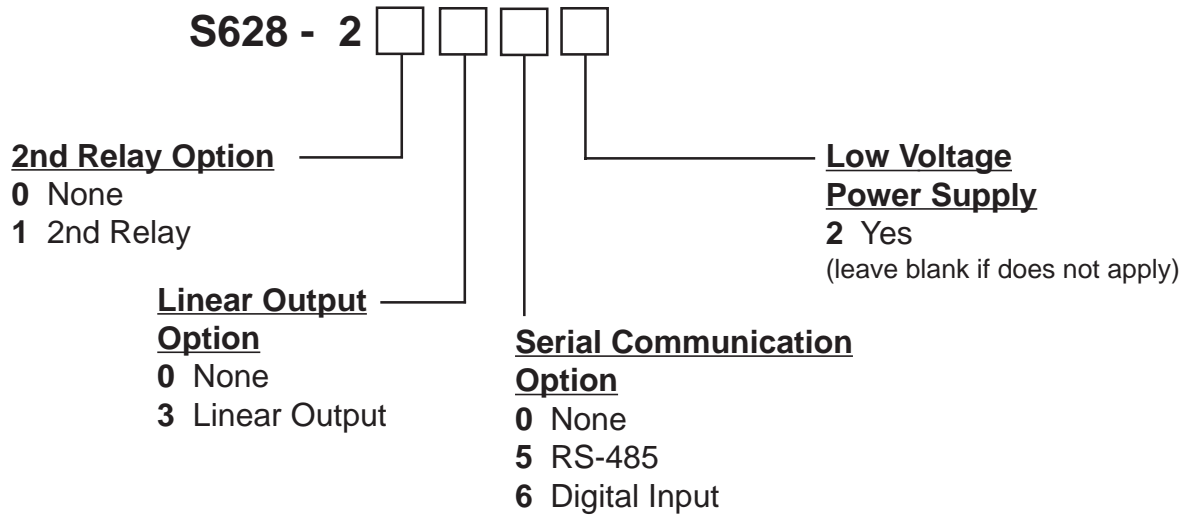
Dimensions:	48mm x 96mm, 110mm deep
Mounting:	Panel mount (mounting bracket supplied), 45mm x 92mm cutout
Terminals:	Screw type - combination head
Front Panel Rating:	NEMA 4X/IEC IP65
Case Material:	GE Lexan 940
Weight:	0.56 lbs.

### Environmental

Operating Temp.:	0° to 55° Celsius, 32° to 131° Fahrenheit
Storage Temp.:	-20° to 80° Celsius, -4° to 176° Fahrenheit
Relative Humidity:	20% to 95% non-condensing

# GENERAL

## ORDERING INFORMATION



## WARRANTY

Standard products manufactured by the Company are warranted to be free from defects in workmanship and material for a period of one year from the date of shipment, and products which are defective in workmanship or material will be repaired or replaced, at the option of the Company, at no charge to the Buyer. Final determination as to whether a product is actually defective rests with the Company. The obligation of the Company hereunder shall be limited solely to repair and replacement of products that fall within the foregoing limitations, and shall be conditioned upon receipt by the Company of written notice of any alleged defects or deficiency promptly after discovery within the warranty period, and in the case of components or units purchased by the Company, the obligation of the Company shall not exceed the settlement that the Company is able to obtain from the supplier thereof. No products shall be returned to the Company without its prior consent. Products which

the Company consents to have returned shall be shipped F.O.B. the Company's factory. The Company cannot assume responsibility or accept invoices for unauthorized repairs to its components, even though defective. The life of the products of the Company depends, to a large extent, upon the type of usage thereof, and THE COMPANY MAKES NO WARRANTY AS TO FITNESS OF ITS PRODUCTS FOR SPECIFIC APPLICATIONS BY THE BUYER NOR AS TO PERIOD OF SERVICE UNLESS THE COMPANY SPECIFICALLY AGREES OTHERWISE IN WRITING AFTER THE PROPOSED USAGE HAS BEEN MADE KNOWN TO IT.

THE FOREGOING WARRANTY IS EXCLUSIVE AND IN LIEU OF ALL OTHER WARRANTIES EXPRESSED OR IMPLIED, INCLUDING, BUT NOT LIMITED TO ANY WARRANTY OF MERCHANTABILITY OR OF FITNESS FOR A PARTICULAR PURPOSE.

Printed in U.S.A.  
702139-0002  
August 15, 1998  
Revision none

 **Danaher Controls**

1675 Delany Road  
Gurnee, IL 60031-1282  
Phone: 847.662.2666  
Fax: 847.662.6633