

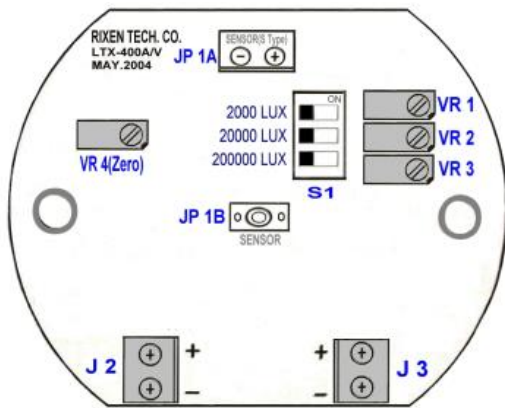
# Illuminance Transmitter LXT-401 series

- Model: LXT-401A Current Output Type
- Model: LXT-401V Voltage Output Type

## A. Setting range & Signal output

Range	Setting (S 1)	Output of LXT-401A	Output of LXT-401V
L: 0 ~ 2,000 LUX	[S1: 0]	4 ~ 20 mA	DC: 0 ~ 1V, 0 ~ 2V, 0 ~ 5V, 0 ~ 10V (Option)
M: 0 ~ 20,000 LUX	[S1: 1]	4 ~ 20 mA	
H: 0 ~ 200,000 LUX	[S1: 2]	4 ~ 20 mA	

## B. Wiring



### B-1. LXT-401A (Current Output)

**J2 : Output :** 4 ~ 20mA Two wire ◦

**Power supply :** 12 ~ 40VDC

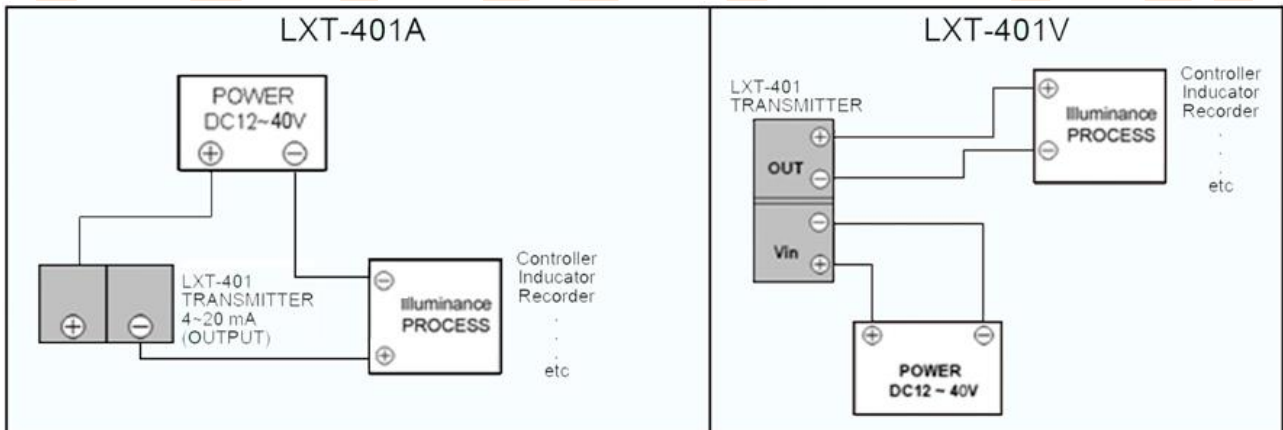
### B-2. LXT-401V (Voltage Output)

**J2: Power In :** 12~ 40VDC ◦

**J3: Output (DCV) :** 0 ~ 1V , 0 ~ 2V 0 ~ 5V, 0~10V ◦

**SENSOR :** **JP1A** (For External Sensor) ◦

**JP1B** (For Built-In Sensor) ◦



## C. On-Site Calibration

- ※ **VR 4 (Zero):** Zero Adjustment
- ※ **VR 1,2,3 (Span):** Span Adjustment

## D. Range Selecting :(By S1)

Setting Range	Adjustable Range of Span
L : 0~2,000 LUX	<b>VR1</b> : 2,000 LUX
M : 0~20,000 LUX	<b>VR2</b> : 20,000 LUX
H : 0~200,000 LUX	<b>VR3</b> : 200,000 LUX