

## MAXVU rail

DIN-rail Temperature Controller/Transmitter and Limiter



MAXVU Rail is a compact DIN-rail mount temperature controller/transmitter and limiter range for general industrial and scientific equipment requiring a reduced back panel footprint, centralised control or minimal front panel components.

The slim 22.5mm width behind panel devices are quick to integrate in a system and easy to set-up, the affordable product family offers;

- **PID controller** for stable and efficient temperature and process control
- **Transmitter function** for monitoring and data collection of process measurements
- FM approved **limit device** for machine protection

## Reduce setup time

### Clear text/graphic display

MAXVU Rail incorporates the latest Oled technology display for high contrast text/graphic display with a wide viewing angle, easily visible to configure in bright sunlight or a dark control panel.

### Short set up menu

MAXVU Rail has been specially designed for ease-of-use through a quick setup menu accessed from the front keypad.

- Includes the most common parameter settings
- Prioritised parameter options, default is the most common option with second most common next on the list
- Other parameters still available through the full menu

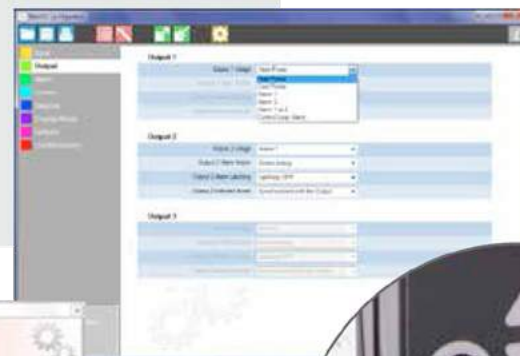
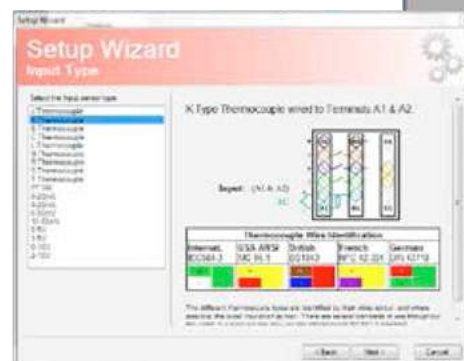
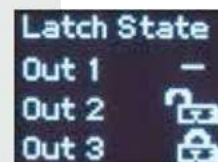
### PC Configuration software

Alternatively, fast configuration of instruments can be achieved with the MAXVU software via the controller's front access configuration port

- Logical menu driven interface
- Tables with drop down menus
- Graphical setup wizard with informative help panel
- Save configuration files
- Print report of controller settings



22.5mm



# Key Features

## CONTROL

PID / ON-OFF / limit / transmitter  
Heat / cool strategies  
2 alarms - latching  
Ramp/dwell with delay time

## HMI

Text /graphic Oled display  
3 LED status indicators

## PROGRAMMING

Front keys or software programming

## OUTPUTS

2 or 3 outputs; relay, SSR or linear (1 max)  
Linear ranges: 0/4 to 20mA, 0/1 to 5V, 0/2 to 10V

## MECHANICS

DIN rail, 22.5mm width  
RS485 comms bus connector  
option (reduces wiring)

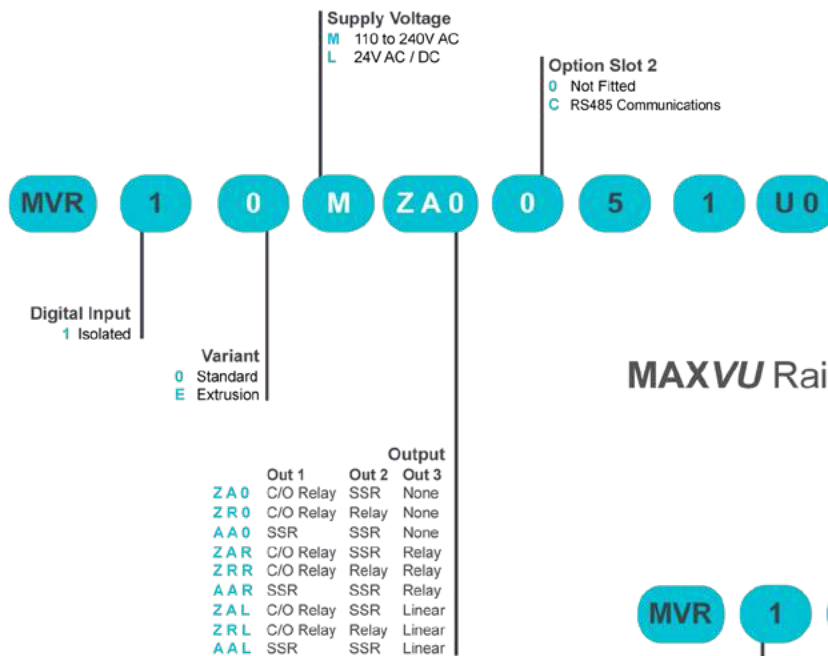
## INPUTS

Thermocouple: B, C, J, K, L, N, R, S, T,  
RTD: PT100 2 or 3 wire,  
Linear ranges: 0/4 to 20mA, 0/1 to 5V, 0/2 to 10V  
Calibration: 1 or 2 point  
Digital input: Isolated

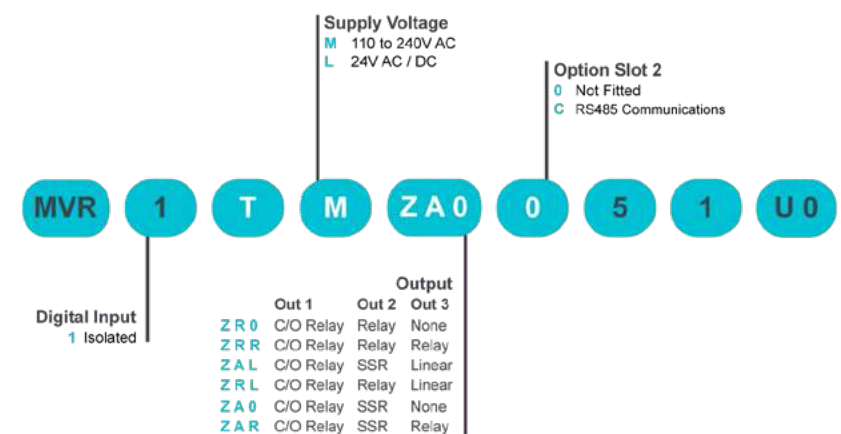


# Ordering Codes

## MAXVU Rail Controller / Transmitter



## MAXVU Rail Limiter



# Flexible for Use in a Range of Applications

MAXVU Rail provides an affordable solution for applications needing essential temperature control.

## Heated Enclosures



## Plastic & Rubber Extrusion



## Food and Beverage



## General Heat Processes



## Contact Us



**Email:** enquiries@west-cs.com  
**Website:** www.west-cs.co.uk



**Telephone:** +44 (0)1273 606271  
**Fax:** +44 (0)1273 609990



**Address:** The Hyde Business Park  
Brighton, East Sussex  
BN2 4JU  
United Kingdom

BR-MVR-1-UK-1705