



Humidity / Temperature Transmitter

TRH-300 series

□ IP65 □ CE □ RoHS

- Long-term stability and reliability
- Accurate relative humidity and temperature measurement
- Current or voltage outputs
- Available as wall, duct or separated mounting types

Model No.

TRH-301

Temperature Transmitter

TRH-302

Humidity Transmitter

TRH-303

Temp. and Humidity Transmitter



Model No. TRH-300DF

1/2" NPT male connection for High Pressure use.

Specifications of TRH-300

Measurement Range	0 ~ 100% RH 0 ~ 100°C (-20 ~ +80°C, 0 ~ 50°C, -40 ~ +60°C available)
Accuracy (At 25°C)*	±2 % RH, ±0.3°C (※Power supply = 24VDC)
Long-term stability	Better than 1% RH per year (Typical)
Temp. Compensation	± 0.008% RH /°C (Effect @ 0 % RH)
Response	<15 sec. (90 % at +25°C in moving air over 0.5 M/S)
Sensors	Humidity : Thin-film capacitor Temperature : RTD Pt 100Ω IEC 751, DIN43760
Output	Current output : Humidity : 4 ~ 20 mA Two wire Temperature : 4 ~ 20 mA Two wire Voltage output : 0 to 1V, 0 to 5V, 0 to 10V or 1 to 5V, Selectable ※Other scales possible upon request
Fine adjustment	Zero and Span adjustable by spare potentiometer
Power Supply	12 ~ 40V DC, >150mA ※0-10V of output needs , 18 VDC of power supply
Housing / Protection	ABS plastic watertight enclosure (IP 65)
Cable gland	Liquid-tight nylon, cable Bushing suitable for ø5-10mm
Ambient Temperature	-40 ~ +60°C (- 40 ~ +140°F)
Weight	Approx. 150g
Approvals	IP65, CE, RoHS

※Specifications are subject to change without notice.



Humidity / Temperature Transmitter

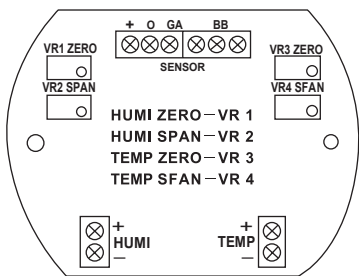
TRH-300 series

Ordering Information Please advise the specificatoin based on your individual needs.

Model No.	Descriptions	
TRH-301	Temperature transmitter	
TRH-302	Humidity transmitter	
TRH-303	Humidity / Temperature transmitter	
TRH-300DF	1/2" NPT male connection for high pressure use	
Shape (Mounting Type)	W	Wall mount type
	D	Duct mount type
	S	Sensor separated type
	DF	1/2"NPT male connection for high pressure use
Output	A	Current output : 4~20mA
	V	Voltage output : 0~1V, 0~5V, 0~10V, 1~5V

Example:TRH-303WA Humidity and Temperature transmitter, Wall mount type, Current output.

On-Site Calibration & Wiring



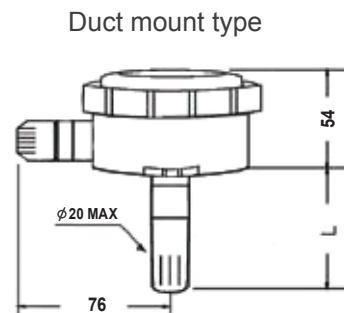
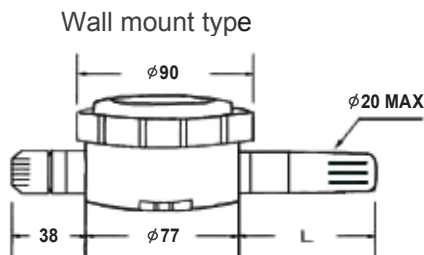
Humidity Calibration :

VR 1ZERO Humidity
VR 2SPAN Humidity

Temperature Calibration :

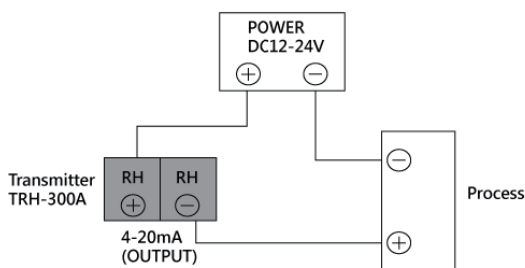
VR 3ZERO Temperature
VR 4SPAN Temperature

External Dimensions(mm)



Connecting Diagram

TRH-300A Current output type



TRH-300V Voltage output type

