

Model SRH: Outdoor Air Relative Humidity Sensor

Setra's SRH outdoor humidity sensor offers optional active temperature with choice of 4 to 20 mA or user-selectable 0 to 5 and 0 to 10 VDC output and passive temperature with choice of thermistor or RDT output. The sensor is housed in a polycarbonate 94 V-0, NEMA 4 enclosure making it suitable for harsh environments. The SRH outdoor air sensor gives the user the choice of 2%, 3% and 5% RH accuracy to meet the requirements of typical HVAC applications. It features a removable sensor tip, NIST traceability and a durable capacitive sensor capable of a 0 to 99% full scale RH measurement and recovery from 100% saturation.

Replaceable Sensor Tip for Easy Calibration

The SRH offers the industry's easiest replaceable sensor tip. Removing it requires no special training and can be easily replaced by the end user. No calibration is needed because each sensor module is factory calibrated before shipping, reducing downtime during service intervals.

Active & Passive Temperature Outputs

The SRH can be ordered with either a passive (RTD Thermistor) or Active (Analog) temperature output, enabling 2 measurements from 1 device. Units configured with the active temperature options feature jumper selectable Tspan ranges of 40°C, 50°C, and 60°C.

Worry Free 5 Year Warranty

The SRH comes with a 5 year warranty on the electronics and a 2 year warranty on the sensor module, giving the user peace of mind over the life of the product.



- Active of Passive Temperature Outputs
- Durable Capacitive Sensor
- Suitable for Harsh Environments

Model SRH Features:

- Active Temperature With Jumper Selectable
- Excellent Reliability Through ASIC Technology
- Robust Capacitive Sensor Design
- Low Cost of Ownership
- $\pm 2\%$, $\pm 3\%$ and $\pm 5\%$ FS Accuracy
- Replaceable Sensor Tip
- Quick Mount, 2 Screw Install With Plug-In Terminal Wiring
- 5 Year Warranty on Electronics
- 2 Year Warranty on Sensor Module
- CE and RoHS Compliant

Applications:

- HVAC/R Control
- Indoor Air Quality (IAQ)
- Laboratories
- Antique Preservation

Model SRH: Outdoor Air

Relative Humidity Sensor



ORDERING INFORMATION

S R H 1 - [] - O - [] - [] - N - []

Model	Accuracy	Configuration	Outputs	Temperature Outputs	Display	Options
SRH1 = SRH	2P 2%	0 Outside Air	11 4 - 20 mA	T0 None (RH only)	N None	C NIST Certificate of Performance
	3P 3%		2C 0 - 5 or 0-10 VDC ¹ (user-selectable)	T1 10K ohm Type II Thermistor (Passive)		
	5P 5%			T2 1000 ohm RTD (Passive)		
				T3 -58 to 140°F (-50 to 60°C [Active]) ^{2,3}		
				T5 +14 to 140°F (-10 to 60°C [Active]) ^{2,3}		
				T6 10K ohm Type III Thermistor [Passive]		

Ordering Example: SRH12PO11TONC = Model SRH, 2% Accuracy, Outdoor Mount, 4 to 20 mA Output, RH only, No Display, NIST Certificate of Conformance

S R H 3 - [] - []

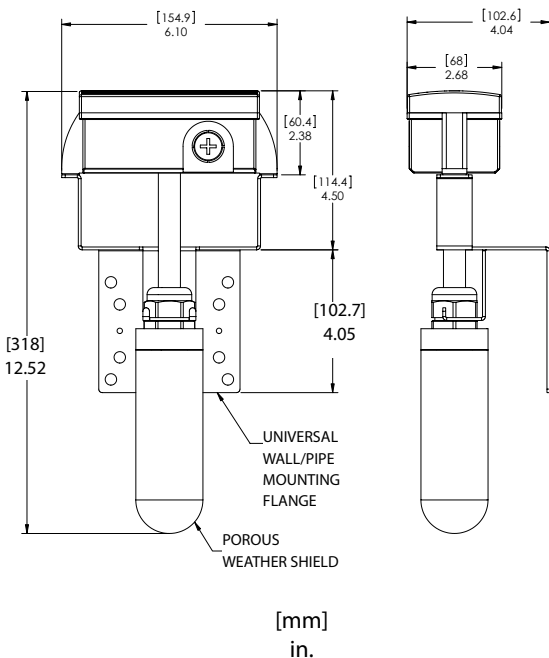
Model	Accuracy	Temperature Outputs
SRH3 = SRH	2P 2%	T0 None (RH only)
	3P 3%	T1 10K ohm Type II Thermistor (Passive)
	5P 5%	T2 1000 ohm RTD (Passive)
		T3 -58 to 140°F (-50 to 60°C [Active]) ³
		T5 +14 to 140°F (-10 to 60°C [Active]) ³
		T6 10K ohm Type III Thermistor [Passive]

Ordering Example: SRH32PT0 = 2% Accuracy, RH only.

Replacement Sensor Assembly:

1. Voltage outputs (2C) are factory configured for 0 to 5 VDC operation. User-selectable jumper for 0 to 10 VDC operation.
2. Tspan jumper factory configured for 60°C. User-selectable Tspan for 40°C and 50°C option provided.
3. SRH1 units originally ordered with either a T3 or T5 temperature option Must be replaced with the same T(x) version.

DIMENSIONS



GENERAL SPECIFICATIONS

RH Performance Data		Temperature Sensing Options (Passive)	
Sensing Element	Capacitive Polymer	T1: Thermistor	NTC 10K Ω 77°F/25°C (Direct Connect) Type II
Humidity Operating Range	0 to 99% RH (non-condensing)	T2: RTD Output	1000 Ω 32°F/0°C (Direct Connect)
Accuracy @ 68°F (20°C)	2%, 3%, 5% ¹	T6: Thermistor	NTC 10K Ω 77°F/25°C Type III
Non-Repeatability	0.05% FS	Temperature Sensing Options (Active)	
Long Term Stability	<1%/Year @ 68°F (20°C), 50% RH	T3: Ranges °F (°C) Accuracy @ 68°F (20°C)	-58 to +140 (-50 to +60) Typ @ 50% ±1.1 (±0.6) ²
Electrical Data		T5: °F (°C) Accuracy @ 68°F (20°C)	+14 to +140 (-10 to +60) Typ @ 50% ±0.7 (±0.4) ²
Signal Outputs	Signal Output Options (includes humidity output)		
Current (2-Wire)	4 to 20mA	Current	4 to 20mA
Field-Selectable Voltage (3-Wire)	0 to 5 VDC, 0 to 10 VDC	Field-Selectable Voltage	0 to 5 VDC, 0 to 10 VDC
Excitation	13.5 to 30 VDC (10 VDC Output) 12 to 30 VDC (4 to 20 Ma, 5 VDC Output)	Physical Description	
Maximum Load (Current Only)	=(Supply - 10) - 0.02	Enclosure Materials	
Electrical Termination	Pluggable Terminal Block (5mm Pitch)	Wall Mount	VA 94-V0
Wiring Protection	Reverse Excitation	Duct & Outside Air	Polycarbonate 94-V0
CE Compliance	EMC Directive 2004/108/EC	Probe (Duct & Outside Air)	Aluminum
Environmental Data		Weather Shield	Porous Polyethylene
Operating Temperature °F (°C)	-40 to 140 (-40 to 60)	Sensor Tip Filter	70 Micron Polypropylene
Storage Temperature °F (°C)	-40 to 158 (-40 to 70)	Dimensions	See Dimensions Drawings
Moisture Resistance	IP65, NEMA-4 (Duct & Outside Air)	¹ 5% units available only with passive temperature option. ² Excitation 24 VDC ±10% Specifications subject to change without notice.	
Solar	UV Resistant (Outside Air)		
Flammability Rating	94-V0		
Compliance	RoHS Compliant, CE Compliant		