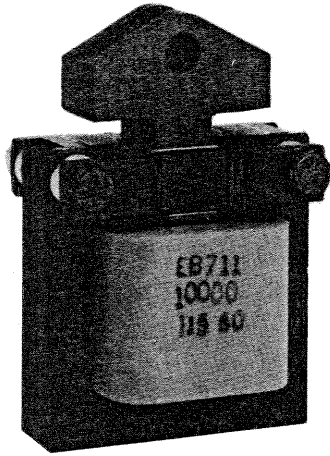


## Pull Type Solenoids



The **EB710** series industrial solenoids are designed for use in Class B insulation systems with ambient temperatures ranging from  $-10^{\circ}\text{C}$  to  $30^{\circ}\text{C}$  with occasional excursions to  $40^{\circ}\text{C}$ . They are available in stacking widths of 3/4, 1, 1-1/4 and 2 inches and feature universal mounting brackets. They can be equipped with special coils to enable them to function under a wide range of severe industrial environments.

### Features include:

- 10 to 30 pound push or pull force
- Stainless steel saddle-type retainers
- 115, 230, and 460, 60 Hz model
- 1 inch stroke

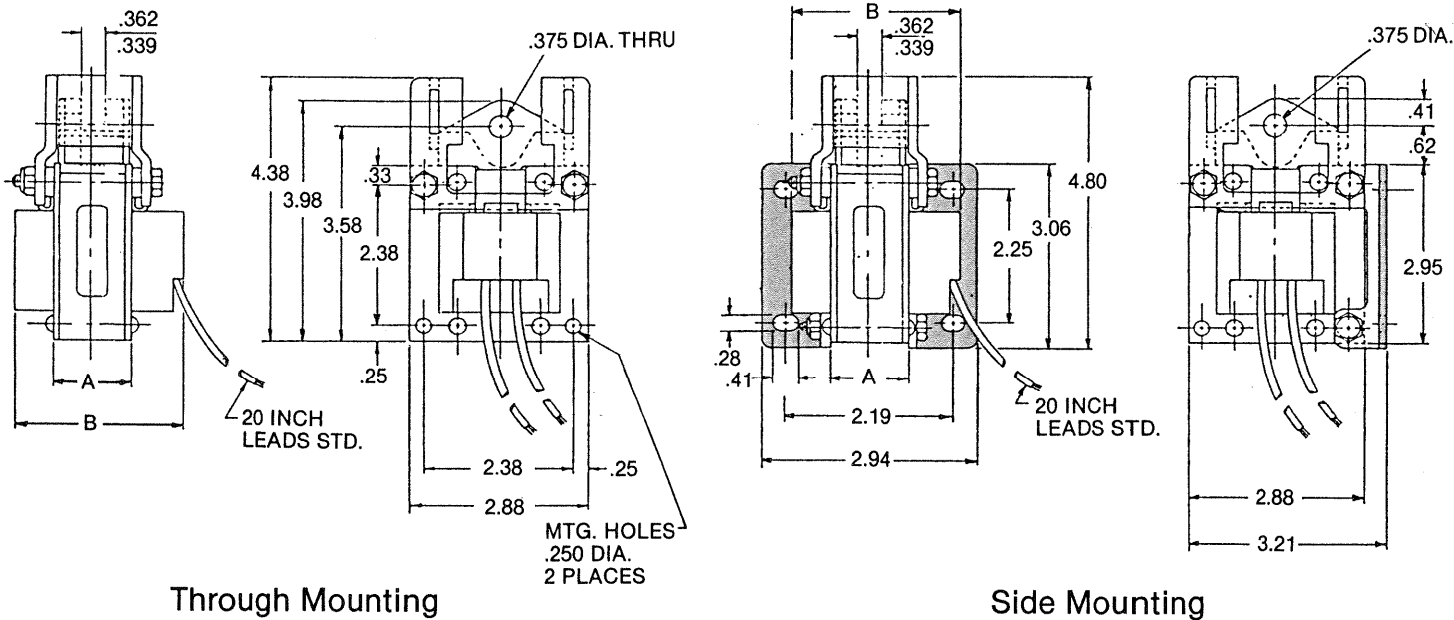
The EB710 series is intended to replace the EB700 series.

Consult factory for special solenoids.

Stacking Size	Part Number	Type	Mounting	V & C	(Inches) Stroke	(Lbs.) Force	Description or Special Features
.75	EB710-11200	Pull	Standard Side	115/60	1.0	12.5	With round head plunger and guides
	EB710-11000	Pull	Standard Thru	115/60	1.0	12.5	With round head plunger and guides
1.00	EB710-30000	Pull	Standard Thru	115/60	1.0	18.0	With round head plunger
1.25	EB710-50001	Pull	Standard Thru	230/60	1.0	19.0	With round head plunger
	EB710-50002	Pull	Standard Thru	460/60	1.0	19.0	Same as EB710-50001 except voltage
2.0	EB710-90001	Pull	Standard Thru	230/60	1.0	28.0	With round head plunger
	EB710-90002	Pull	Standard Thru	460/60	1.0	28.0	With round head plunger

# EB710 Series

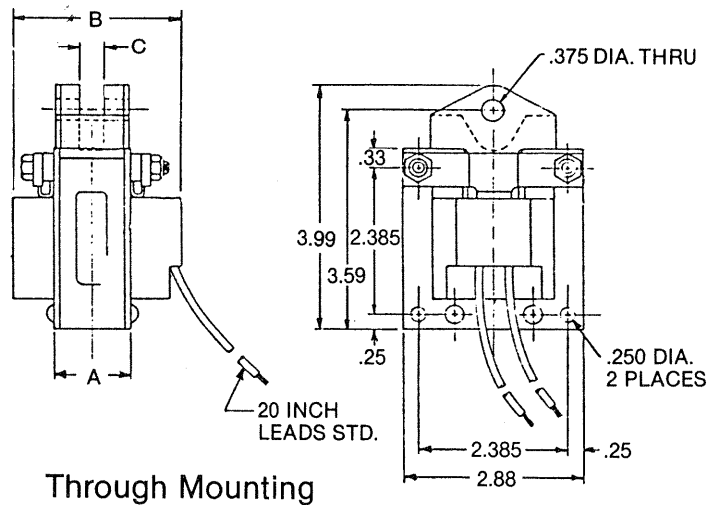
## EB710 Pull Type, Round Head Plunger, with Guide



### Dimensions

Stacking Size A	B	C
.75	2.19	.362/.339

## EB710 Pull Type, Round Head Plunger

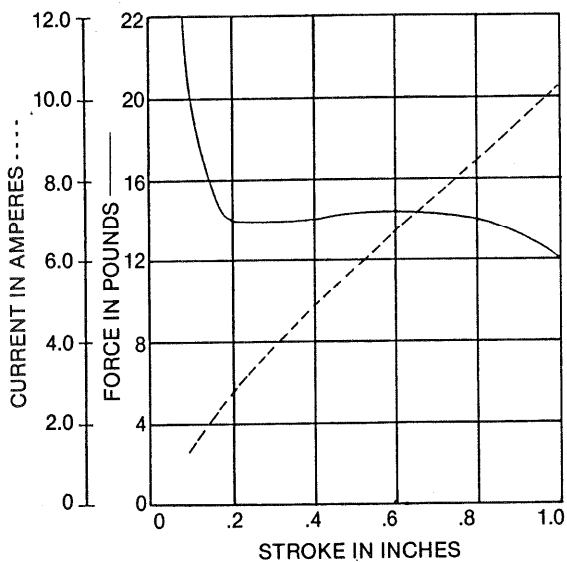


### Dimensions

Stacking Size A	B	C
1.00	2.44	.362/.339
1.25	2.69	.410/.387
2.00	3.44	.650/.637

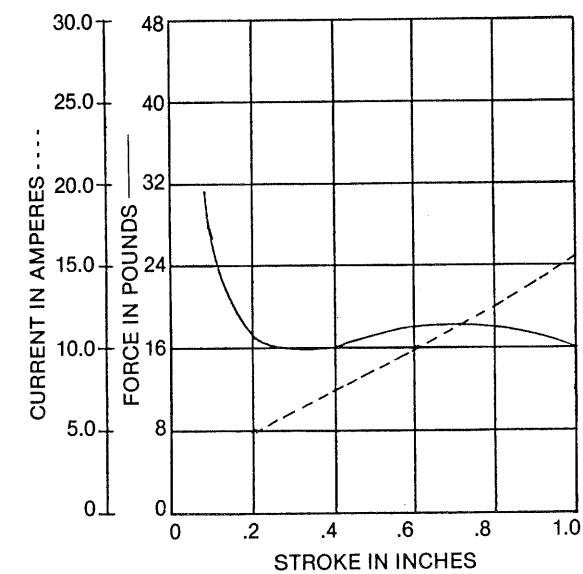
## Typical Force and Current Curves

.75 Stacking Size Curves Shown for 115V, 60 Hz



STROKE (inches)	PULL TYPE	
	FORCE lbs.	CURRENT amps.
.2	14.0	2.8
.4	14.0	4.9
.6	14.5	6.7
.8	14.0	8.4
1.0	12.0	10.3

1.00 Stacking Size Curves Shown for 115V, 60 Hz



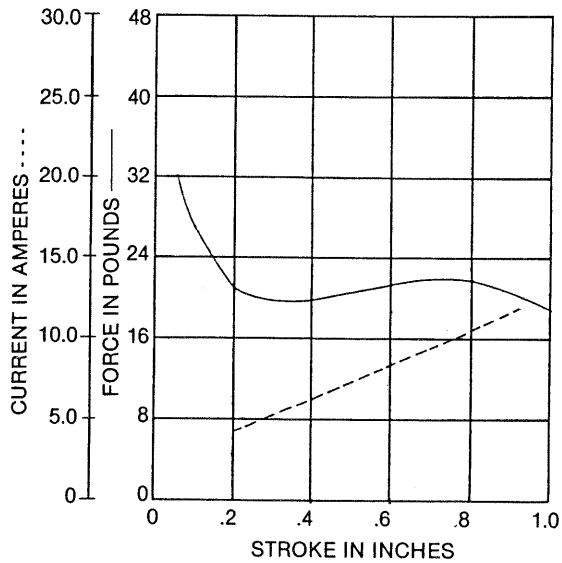
STROKE (inches)	PULL TYPE	
	FORCE lbs.	CURRENT amps.
.2	17.5	5.0
.4	16.0	7.3
.6	18.0	10.0
.8	18.0	12.6
1.0	16.0	15.5

REFERENCE PART NUMBERS FOR 1.00 STACKING SIZE  
EB710-30000

# EB710 Series

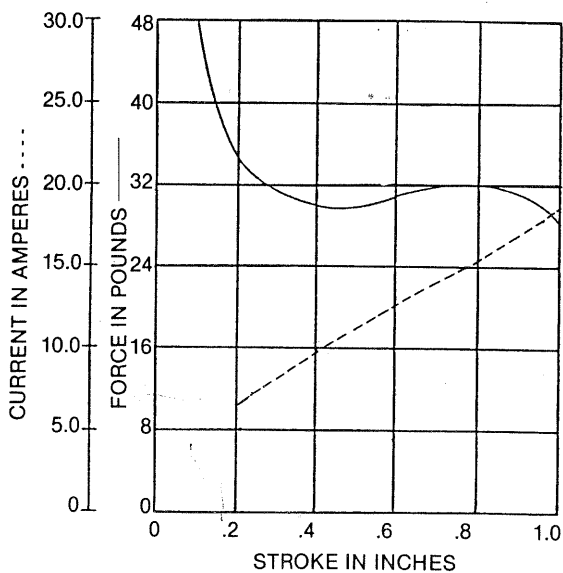
## Typical Force and Current Curves

1.25 Stacking Size Curves Shown for 115V, 60 Hz



STROKE (inches)	PULL TYPE	
	FORCE lbs.	CURRENT amps.
.2	21.0	5.3
.4	20.0	8.4
.6	21.5	11.4
.8	22.0	14.0
1.0	19.0	17.3

2.00 Stacking Size Curves Shown for 115V, 60 Hz



STROKE (inches)	PULL TYPE	
	FORCE lbs.	CURRENT amps.
.2	34.5	8.7
.4	30.0	13.0
.6	31.0	17.0
.8	32.0	20.6
1.0	28.0	25.2