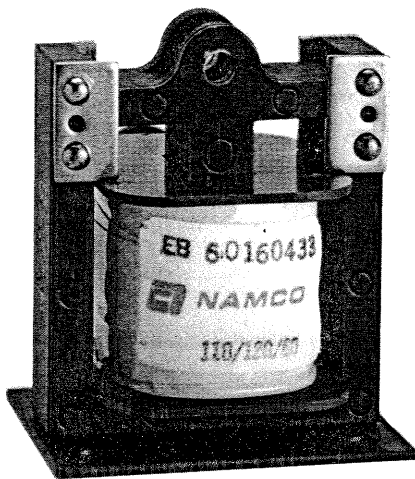


Pull and Push Type Solenoids



Series **EB600** solenoids are available in pull or push versions with stacking widths of 1/2, 3/4 and 1. Designed with stainless steel saddle stops and have .5 inch stroke maximum. All models have through holes in stack for mounting.

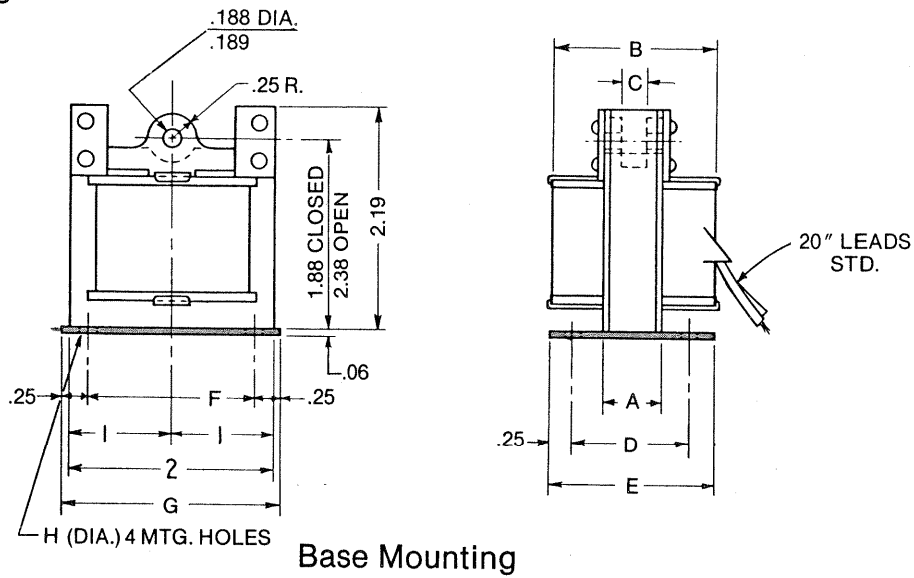
Features include:

- .5 inch stroke
- 115, 230, 60 Hz
- 3 to 8 pound pull or push force
- -10°C to 30°C ambient environment
- Rated for continuous service

Stacking Size	Part Number	Type	Mounting	V & C	(Inches) Stroke	(Lbs.) Force	Description or Special Features
.562	EB600-00005	Pull	Standard Base	110/120/60	.50	2.8	Same as EB600-00005 except voltage
	EB600-00083	Pull	Standard Base	220/240/60	.50	2.8	
.75	EB600-10120	Pull	Standard Base	110/120/60	.50	5.0	
1.00	EB600-20015	Pull	Standard Base	110/120/60	.50	8.0	Special coil, standard winding, 4 ft. long special lead wire
	EB600-20333	Pull	Non-Standard Thru	110/60	.50	8.0	
	EB600-29885	Push	Standard Base	110/120/60	.50	8.0	Special coil Special coil, 32# at 1/4" stroke Flathead Plunger
	EB600-29673	Push	Standard Side	110/60	.50	4.5	
EB600-29693	Push	Standard Side	42 VDC	.50	8.0		

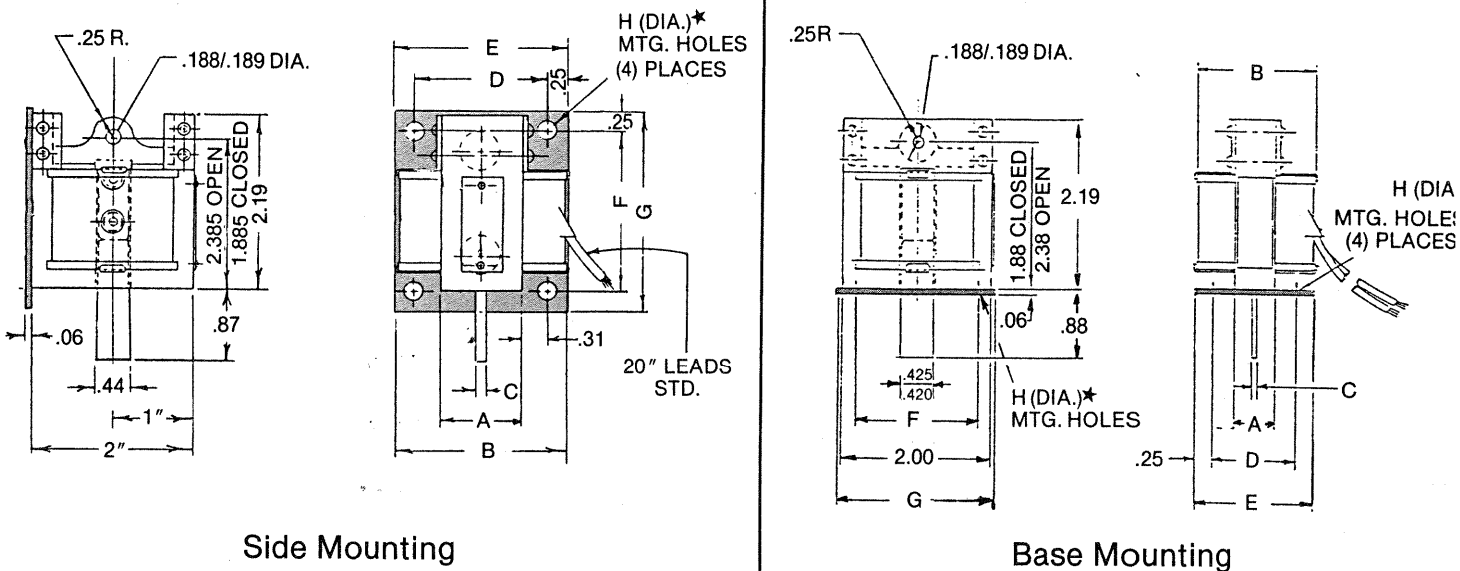
EB600 Series

EB600 Pull Type



Base Mounting

EB600 Push Type



Side Mounting

Base Mounting

EB600 Pull Type, VARIABLE DIMENSIONS IN INCHES

Stacking Size	A	B	C	D	E	F	G	H★
.562	.562	1.62	.25	1.12	1.62	1.62	2.12	.17
.75	.75	1.81	.31	1.38	1.88	2.00	2.50	.20
1.00	1.00	2.06	.38	1.62	2.12	2.00	2.50	.25

★ Diameter of 4 Holes for Mounting.

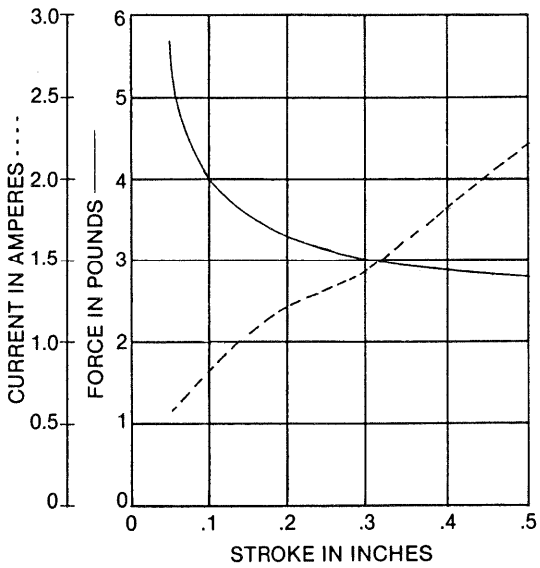
EB600 Push Type. VARIABLE DIMENSIONS IN INCHES

Stacking Size	A	B	C	D	E	F	G	H★
.562	Not available as standard unit. See special solenoid catalog.							
1.00	1.00	2.06	.12	1.62	2.12	2.00	2.50	.25

★ Diameter of 4 Holes for Mounting.

Typical Force and Current Curves

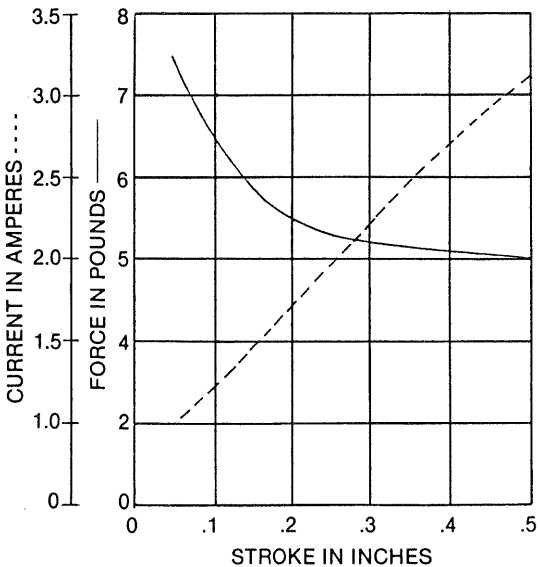
.562 Stacking Size Curves Shown for 115 volt, 60 Hz



STROKE (inches)	PULL TYPE	
	FORCE lbs.	CURRENT amps.
.1	4.0	.8
.2	3.3	1.2
.3	3.0	1.4
.4	2.9	1.8
.5	2.8	2.2

REFERENCE PART NUMBERS FOR .562 STACKING SIZE
EB600-00005

.75 Stacking Size Curves Shown for 115 volt, 60 Hz



STROKE (inches)	PULL TYPE	
	FORCE lbs.	CURRENT amps.
.1	6.5	1.2
.2	5.4	1.7
.3	5.2	2.2
.4	5.1	2.7
.5	5.0	3.1

REFERENCE PART NUMBERS FOR .75 STACKING SIZE
EB600-10120