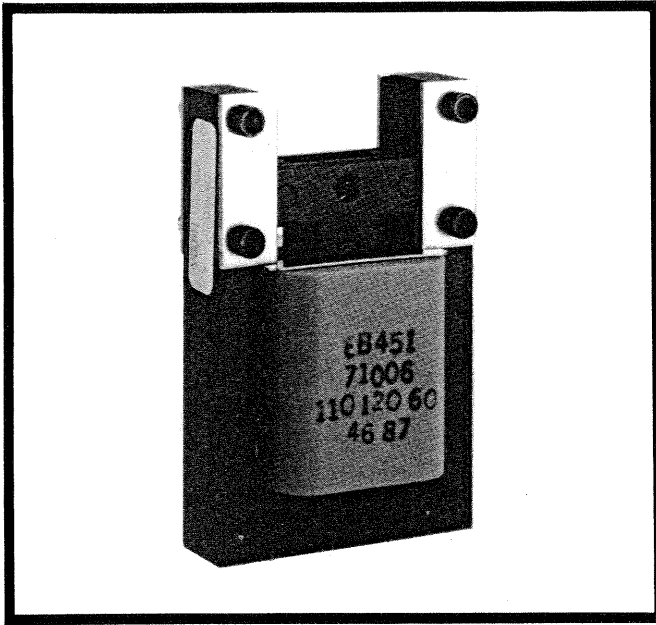


Pull and Push Type Solenoids



Series EB450 solenoids are available with pull and push force of 7 to 11 pounds and a stroke up to 1 inch. The EB450 series is rated for continuous duty. Available in stacking widths of 3/4 and 1 inch. They are designed with stainless steel saddle stops. All models have through holes in stack for mounting.

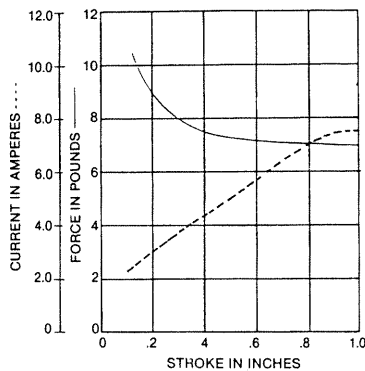
Features include:

- 1 inch stroke
- 115, 460 V, 60 Hz standard
- 7 to 11 pound pull or push force
- — 10°C to 30°C ambient environment
- Rated for continuous duty

| Stacking Size | Part Number | Type | Mounting | V & C | (Inches) Stroke | (Lbs.) Force | Description or Special Features |
|---------------|-------------|------|-------------------|------------|-----------------|--------------|--|
| .75 | EB450-10006 | Pull | Standard Thru | 110/120/60 | 1.0 | 7.0 | Special plunger, Special coil 5 foot leads, special core |
| | EB450-10130 | Pull | Non-Standard Thru | 110/120/60 | 1.0 | 7.0 | |
| 1.00 | EB450-20046 | Pull | Standard Thru | 110/120/60 | 1.0 | 11.7 | Same as EB200-20254 except voltage |
| | EB450-20254 | Pull | Standard Side | 110/120/60 | 1.0 | 11.7 | |
| | EB450-20284 | Pull | Standard Side | 440/480/60 | 1.0 | 11.7 | |
| | EB450-29874 | Push | Standard Thru | 110/120/60 | 1.0 | 11.7 | Same as EB450-29874 except special coil 90" leads |
| | EB450-29610 | Push | Standard Thru | 110/120/60 | 1.0 | 11.7 | |

Typical Force and Current Curves

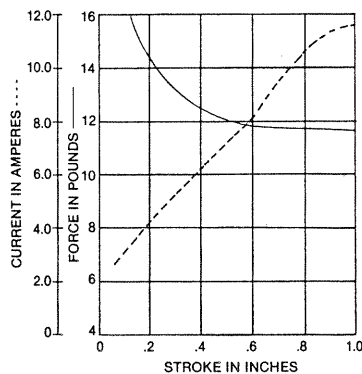
.75 Stacking Size Curves Shown for 115 volt, 60 Hz



| STROKE (inches) | PULL TYPE | |
|-----------------|------------|---------------|
| | FORCE lbs. | CURRENT amps. |
| .2 | 9.0 | 2.8 |
| .4 | 7.5 | 4.2 |
| .6 | 7.2 | 5.5 |
| .8 | 7.1 | 6.5 |
| 1.0 | 7.0 | 7.4 |

REFERENCE PART NUMBERS FOR .75 STACKING SIZE
EB450-10006

1.00 Stacking Size Curves Shown for 115 volt, 60 Hz

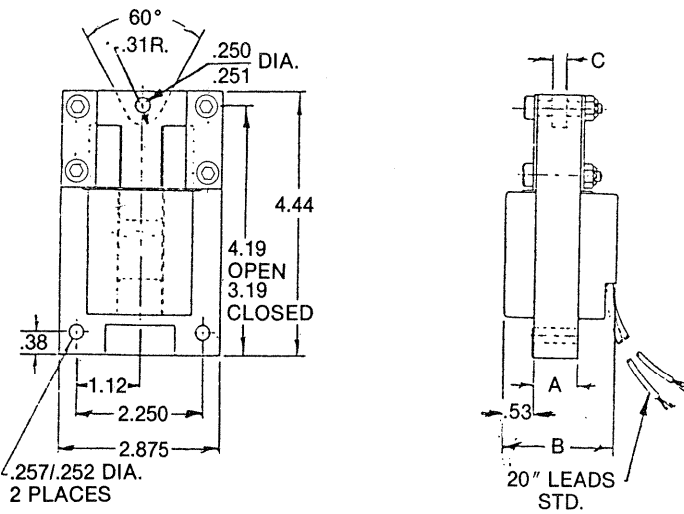


| STROKE (inches) | PULL TYPE | | PUSH TYPE | |
|-----------------|------------|---------------|------------|---------------|
| | FORCE lbs. | CURRENT amps. | FORCE lbs. | CURRENT amps. |
| .2 | 14.5 | 4.1 | 14.5 | 4.1 |
| .4 | 12.5 | 6.2 | 12.5 | 6.2 |
| .6 | 11.9 | 8.0 | 11.9 | 8.0 |
| .8 | 11.8 | 10.9 | 11.8 | 10.9 |
| 1.0 | 11.7 | 11.8 | 11.7 | 11.8 |

REFERENCE PART NUMBERS FOR 1.00 STACKING SIZE
EB450-20046, EB450-29874

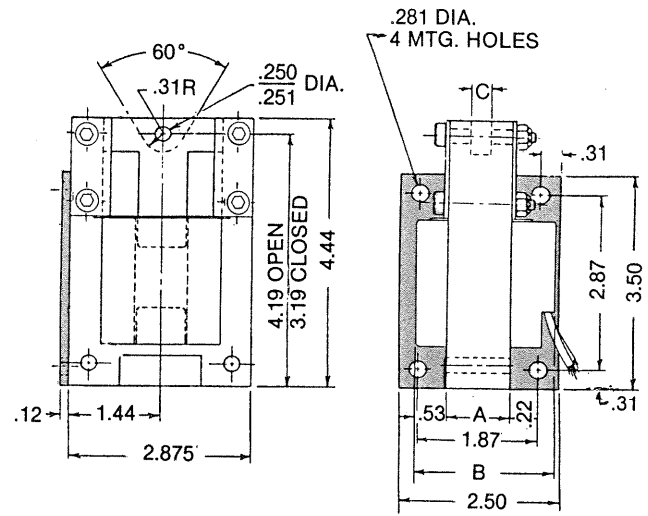
EB450 Series

EB450 Pull Type



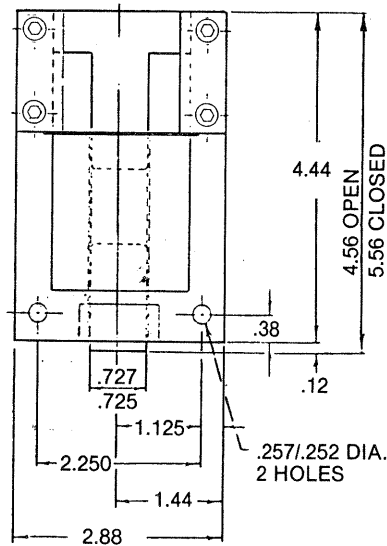
Through Mounting

New Mount

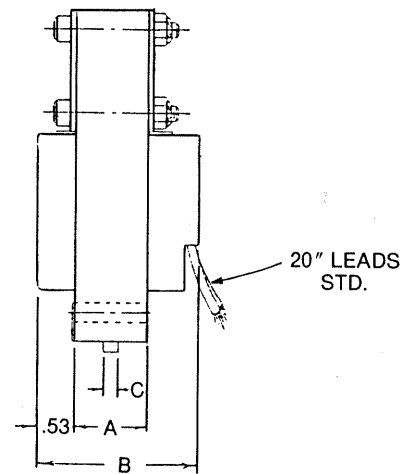


Side Mounting

EB450 Push Type



Through Mounting



Variable Dimensions in Inches

| EB450 PULL TYPE | | |
|-----------------|------|------|
| Stacking Size A | B | C |
| .75 | 2.00 | .250 |
| 1.00 | 2.25 | .312 |

| EB450 PUSH TYPE | | |
|-----------------|---|------|
| Stacking Size A | B | C |
| .75 | Not available as standard unit. See special solenoid catalog. | |
| 1.00 | 2.25 | .312 |