

## V4545 Series Preset Counter

By providing capabilities well beyond event counting, the new V4545 Counter offers greater functionality along with the high visibility of an LED display.

Able to accept inputs from a wide variety of sources including encoders, and scale those signals into meaningful units of measure, the V4545 Preset Counter is well suited for applications such as cut-to-length and filling. Dual input channels, which can be used for reversible or quadrature counting, enhance the unit's versatility.

Single or preset models are available, as is a model that can be used to direct batching operations. Each preset value features both a transistor, which can interface to an external SSR or a PLC, and a relay output for directly driving a load. Outputs can be programmed for latching or timed operation.

Ease of use is designed into the V4545 with setup being menu driven through the front panel. An auxiliary power supply simplifies wiring of inputs, and the draw-out case enhances serviceability. A universal AC power supply meets global power requirements.



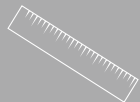
- Large Dual-line LED Display for easy preset and count value viewing
- Scale Function allows display of units
- High Speed Counting up to 10kHz
- Dual Input Channels
- Input Signals accepted from a variety of sources
- Relay and Transistor Outputs programmable for latching or timed operation
- Auxiliary 9-15 VDC supply for powering input devices
- Multilevel Security prevents unauthorized parameter changes
- NEMA 4X/IP65 Rated Front Panel for use in washdown environments



TIME



COUNT



MEASURE

8.43

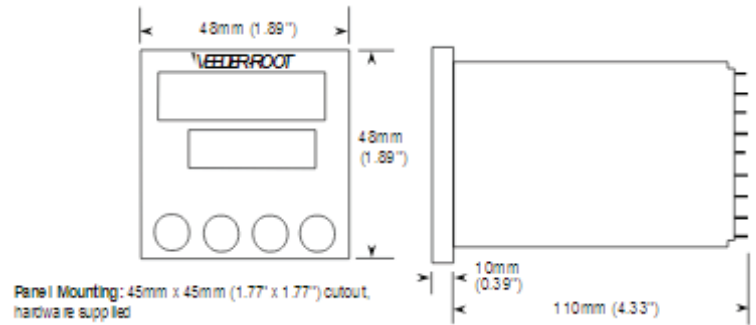
DISPLAY

# V4545 Series Preset Counter

## SPECIFICATIONS

COUNT MODES	Add/Subtract (A-B) or quadrature field selectable
COUNT SPEED	20 Hz, 200 Hz, or 10kHz (5kHz, quadrature) field selectable
PRESETS	V45450-1 Model: 4 digit, Single V45450-2 Model: Dual V45450-3 Model: Single with Batch
RESET	Front panel (selectable enable); remote input; or automatic
CALIBRATOR	0.001 to 9.999 multiplier common to inputs A and B
DECIMAL POINT	Selectable from XXXX to X.XXX
COUNT INPUTS	Sourcing low <2.0 VDC or open; high >3.0 VDC; Sinking low <2.0 VDC; high >3.0 or open
CONTROL INPUTS	Remote Reset and Program Enable; low <2.0 VDC, high >3.0
NUMBER	One relay and one transistor per preset
RELAY(S)	SPDT 5A resistive @ 110 VAC
TRANSISTOR	NPN open collector; 30 VDC maximum; 100mA maximum
DIMENSIONS	48mm x 48mm; 110mm deep
WEIGHT	Approximately 198 g; 7 oz.
MOUNTING	Panel mount (mounting bracket supplied), 45mm x 45mm cutout
TERMINALS	Screw Type - combination head
DISPLAY	Dual line, seven segment LED 10mm high top display; 7mm high bottom display
SUPPLY VOLTAGE	90 - 264 VAC, 50/60 Hz
ACCESSORY POWER	9 to 15 VDC, 0 - 100mA
AMBIENT OPERATING TEMPERATURE	32° to 131° F (0° to 55° C)
AMBIENT STORAGE TEMPERATURE	-4° to 176° F (-20° to 80° C)
FRONT PANEL RATING	NEMA 4X/IP65
APPROVALS	CE, UL & CUL recognized

## DIMENSIONS



## ORDERING INFORMATION

### Standard Models

V45450-1	V4545 Counter, Single Preset
V45450-2	V4545 Counter, Dual preset
V45450-3	V4545 Counter, Single Preset with Batch