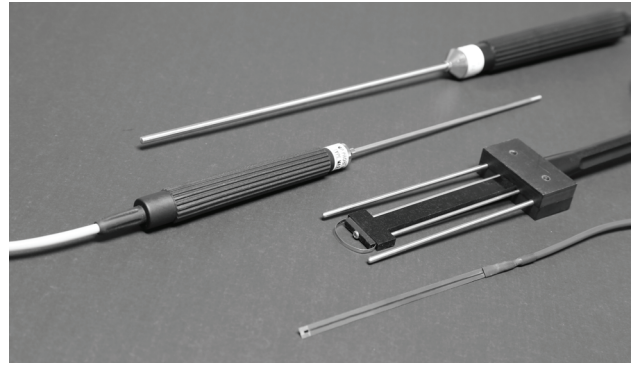
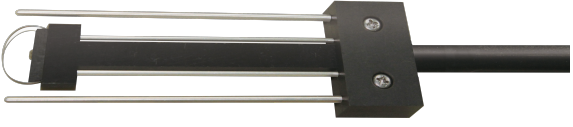
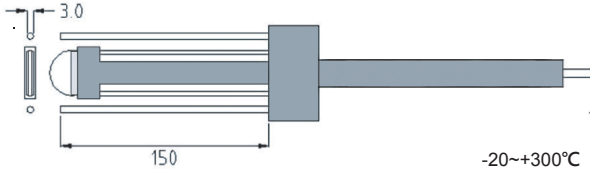

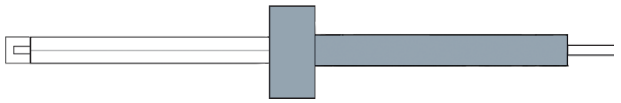

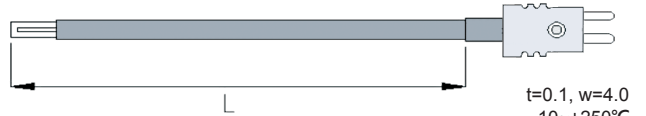

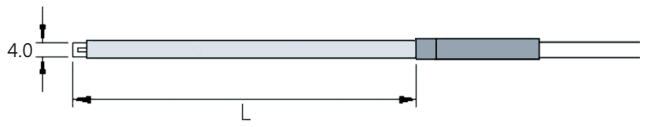



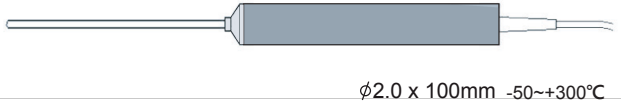



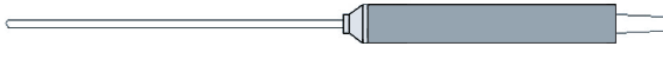


Temperature Probes LP series-2



SLIT TYPE

<p>SPL-1 Narrow side use</p> 	 <p>-20~+300°C</p>
<p>SPL-2 Pressure bearable use</p> 	 <p>-20~+250°C</p>
<p>SPL-3 For small areas use</p> 	 <p>t=0.1, w=4.0 -10~+250°C</p>
<p>SPL-4 For small areas use</p> 	 <p>-10~+250°C</p>

IMMERSION TYPE

<p>LP-11</p> 	 <p>φ2.0 x 100mm -50~+300°C</p>
<p>LP-12</p> 	 <p>φ2.8 x L mm -50~+450°C</p>
<p>LP-13</p> 	 <p>φ3.8 x 200mm -50~+800°C</p>
<p>LP-14 High-Temp use</p> 	<p>※ The cable length and Temperature ranges can be specified.</p>  <p>φ8 x 500mm -50~+1200°C</p>

※ L mm = 150mm For standsrd.

※ The cable length and Temperature ranges can be specified.