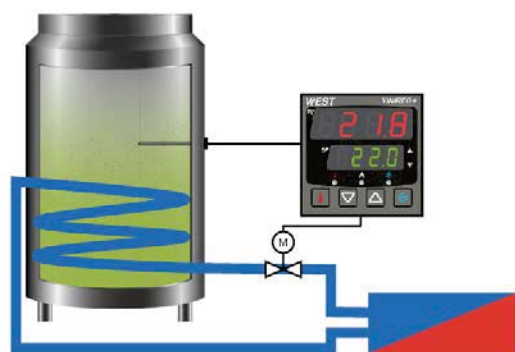


# Vinireg+ Temperature Controller for Wine Production Applications



- One control output for heat or cool water circuits
- Temperature ramp rate setting
- Two Process Alarms
- Modbus Comms
- Modular output and option modules
- Available in 1/16 DIN Format

Based on market proven technology Vinireg+ is a simple-to-use temperature controller configured specifically for wine applications.



The main output can be set for Hot or Cold water control depending on the mode required by the production process.

With intuitive user operation, dedicated buttons and clear display the device offers improved efficiency and fewer operator errors.

The units are easy to set up and install, with no costly and time consuming programming needed. This in turn leads to faster maintenance changes to minimise the risk of waste and reduce overall costs.

## Specification

### Features

Control Types	On-Off control strategy for Wine fermentation applications
Output Configuration	Up to 3 possible, one for control, alarm, 24VDC transmitter power supply or retransmit of process value or setpoint
Alarm 1 & 2 Types	Temperature high, process low, SP deviation, band, logical OR / AND. Alarms have adjustable hysteresis.
Human Interface	4 button operation, dual 4 digit 10mm & 8mm high (6100+, 8100+) and 13mm & 10mm high (4100+) LED displays, optional choice of colours (Red/Red, Red/Green, Green/Red or Green/Green), plus 5 LED indicators

### Input

Thermocouple	J, K, C, R, S, T, B, L, N & PtRh20%vsPtRh40%.
RTD	3 Wire PT100, 50Ω per lead maximum (balanced)
DC Linear	0 to 20mA, 4 to 20mA, 0 to 50mV, 10 to 50mV, 0 to 5V, 1 to 5V, 0 to 10V, 2 to 10V. Scaleable -1999 to 9999, with adjustable decimal point
Impedance	>10MΩ for Thermocouple and mV ranges, 47KΩ for V ranges and 5Ω for mA ranges
Accuracy	±0.1% of input range ±1 LSD (T/C CJC better than 1°C)
Sampling	4 per second, 14 bit resolution approximately
Sensor Break Detection	<2 seconds (except zero based DC ranges), control O/P's turn off, high alarms activate for T/C and mV ranges, low alarms activate for RTD, mA or V ranges

### Outputs & Operations

Control & Alarm Relays	Contacts SPDT 2 Amp resistive at 240V AC, >500,000 operations
Control SSR Driver Outputs	Drive capability >10V DC in 500Ω minimum
DC Linear Outputs	0 to 20mA, 4 to 20mA into 500Ω max, 0 to 10V, 2 to 10V, 0 to 5V into 500Ω min. Control outputs have 2% over/under drive applied. Accuracy ±0.25% at 250Ω (degrades linearly to 0.5% for increasing burden to specified limits)

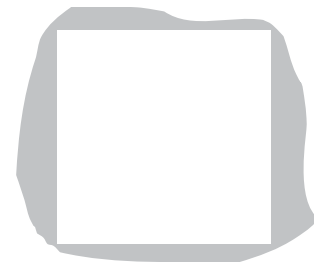
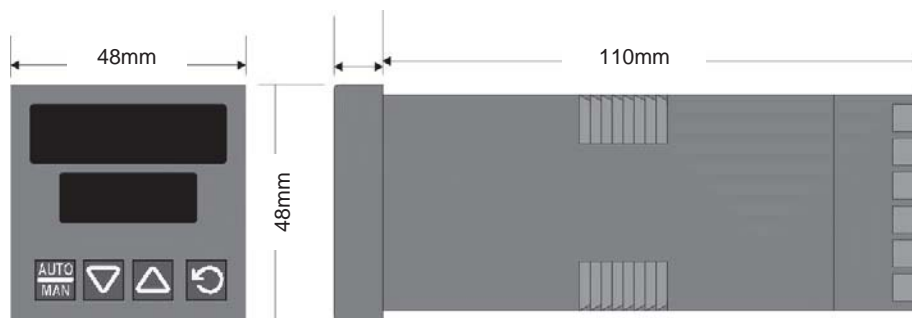
Transmitter Power Supply  
Communications  
Digital Input

Output 24VDC (nominal) into 910Ω minimum to power external devices  
2 Wire RS485, 1200 to 19200 Baud, Modbus and ASCII protocol (selectable)  
Selects between 2 setpoints or Auto/Manual control. Volt free or TTL input

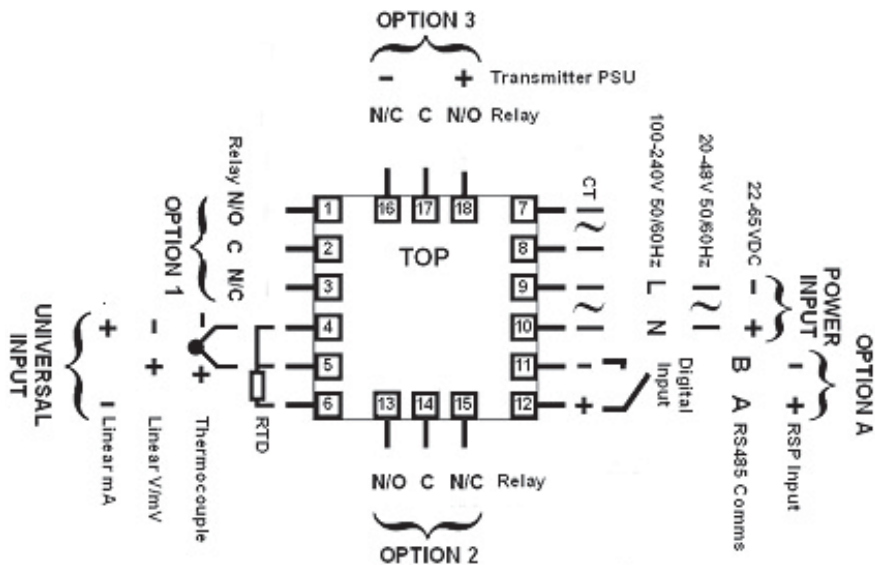
### Operating & Environmental

Temperature & RH 0 to 55°C (-20 to 80°C storage), 20% to 95% RH non-condensing  
Power Supply 100 to 240V 50/60Hz 7.5VA (optional 20 to 48V AC 7.5VA/22 to 65V DC 5 watts)  
Front Panel Protection IEC IP66 (Behind panel protection is IP20)  
Standards CE, UL & ULC recognised

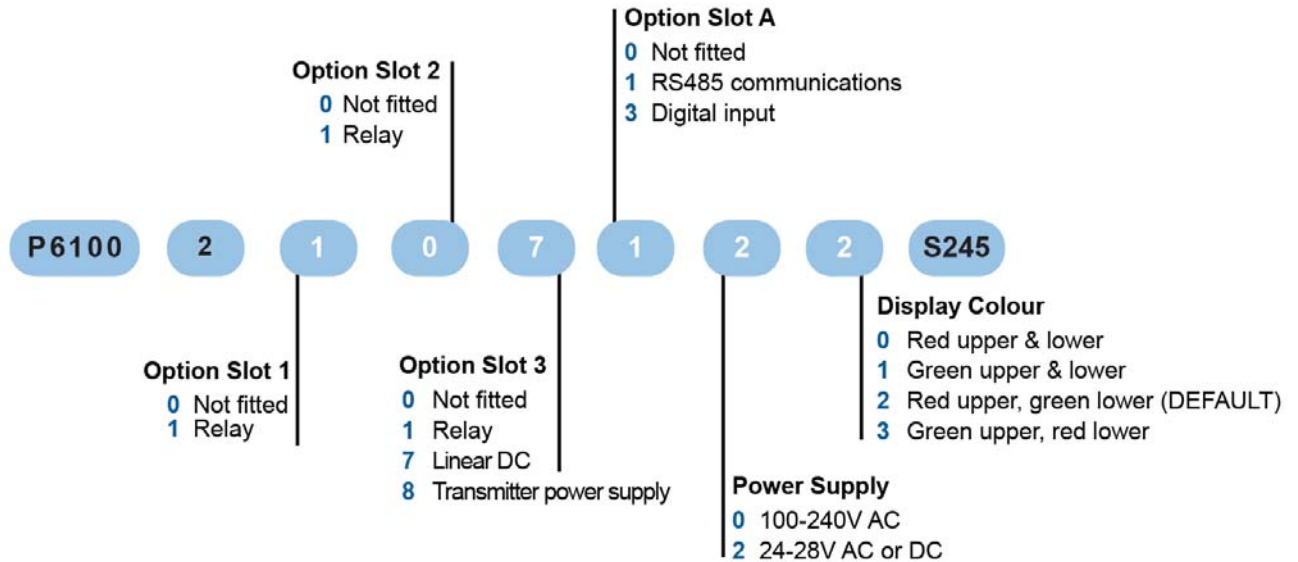
### Dimensions



### Wiring Connections



## Ordering Code



### West Control Solutions – International Sales and Support



**Email:** [Inquiries@West-CS.com](mailto:Inquiries@West-CS.com)

**Website:** [www.West-CS.com](http://www.West-CS.com)



**Telephone:** +1 800 866 6659

**Fax:** +1 847 782 5223



**Address:** 1675 Delany Road  
Gurnee  
IL 60031  
USA

Brochures and datasheets are available for the complete range of West Control Solutions products, contact your local sales office or visit our website at: [www.west-cs.com](http://www.west-cs.com) for more information.

Specifications are subject to change without notice, as a result of continual development and improvement, E&OE

