

# Dry / Humidification Control MTR-740

## User's Guide

### A. Specifications

Model No.	MTR-740
Measuring Range	0.0 ~ 100.0% output scale
Accuracy (At 25°C)	Wood : $\pm 1.5\%$ ※According to the different materials have different reference values.
Service Temperature range of probe & cable	-20 ~ +200°C
Long-term Stability	Better than 1% per year (Typical)
Temp. Compensation	$\pm 0.02\%$ / °C (Effect @ 0% RH)
Response	Approx. 3 sec. per reading
Output	4 ~ 20 mA / 0~100% Two wire 1~5VDC / 0~100%
Supply Voltage	12 ~ 40V DC, >250mA
Ambient Temperature	-40 ~ +60°C (-40~+140°F)
Housing / Protection	ABS plastic watertight enclosure (IP 65), Probe: SUS304 or SUS316
Weight	Approx. 190g (Without probe and cable)
Dimensions	Instrument : $\varnothing 90 \times 54$ (H) mm Probe : $\varnothing 2.5 \times 25$ (L) mm ※Length of probe and length of cable is possible upon request ※Standard length of cable is 2M

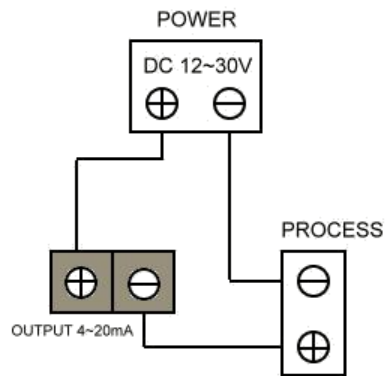
※Specifications are subject to change without notice.

### B. External Dimensions

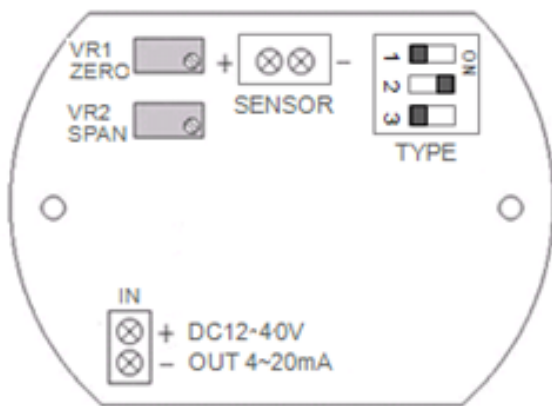


## C. On-Site Calibration & Wiring

### 1. Wiring



### 2. PCB



### 3. Three ranges selectable:

- Range 1 : Dryer or high density material.
- Range 2 : Medium-density water in the material.
- Range 3 : Wet or low density material.

### 4. Calibration

	ZERO	SPAN
Moisture (Underneath PCB)	VR1	VR2