

Soil Moisture Transmitter MTR-730 Series

User's Guide

A. Specifications

Model No.	MTR-731	MTR-732
Measuring Range	Moisture: 0.0 ~ 100.0% output scale True read: 6.0~56.0% WME	Moisture: 0.0 ~ 100.0% output scale True read: 6.0~56.0% WME Temperature: -40 ~ +60°C
Accuracy (At 25°C) Reference of Mineral Soils	Moisture: ± 2%	Temperature: ±0.4°C Moisture: ± 2%
Long-term Stability	Better than 1% per year (Typical)	
Temp. Compensation	± 0.02% / °C (Effect @ 0% RH)	
Response	Approx. 3 seconds	
Output Moisture scale: 0~100% Temp. scale: -40~+60°C	Current output: 4~20mA Two wire	Temperature: Current output: 4~20mA Two wire
		Moisture: Current output: 4~20mA Two wire
Supply Voltage	12 ~ 40V DC, >150mA	
Ambient Temperature	-40 ~ +60°C	
Housing/Protection	ABS plastic watertight enclosure (IP 65), Probe: SUS304 or SUS316	
Weight	Approx. 190g	
Dimensions	Instrument: φ 90x54(H) mm Probe: φ8x150(L)mm	

※Specifications are subject to change without notice.

B. Ordering Information

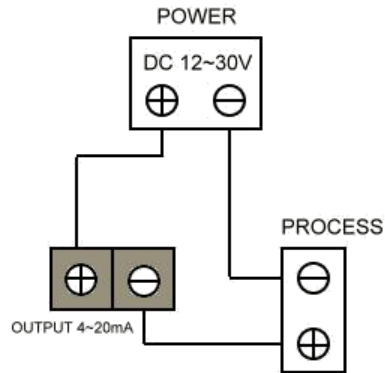
Model	Descriptions
MTR-731	Soil Moisture transmitter
MTR-732	Soil Moisture & Temperature transmitter
※Standard specification of probe: φ8x150mm ※Length of probe is available upon request Max. L=1500mm	

C. External Dimensions



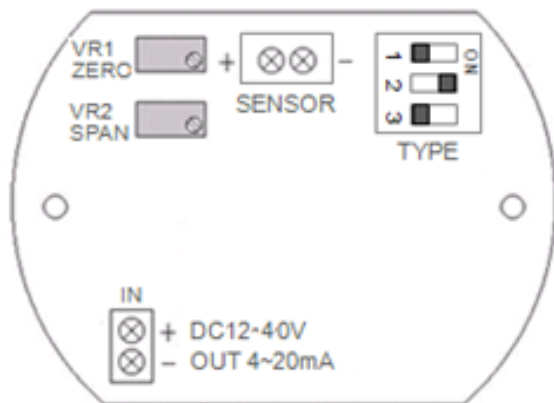
D. On-Site Calibration & Wiring

1. Wiring

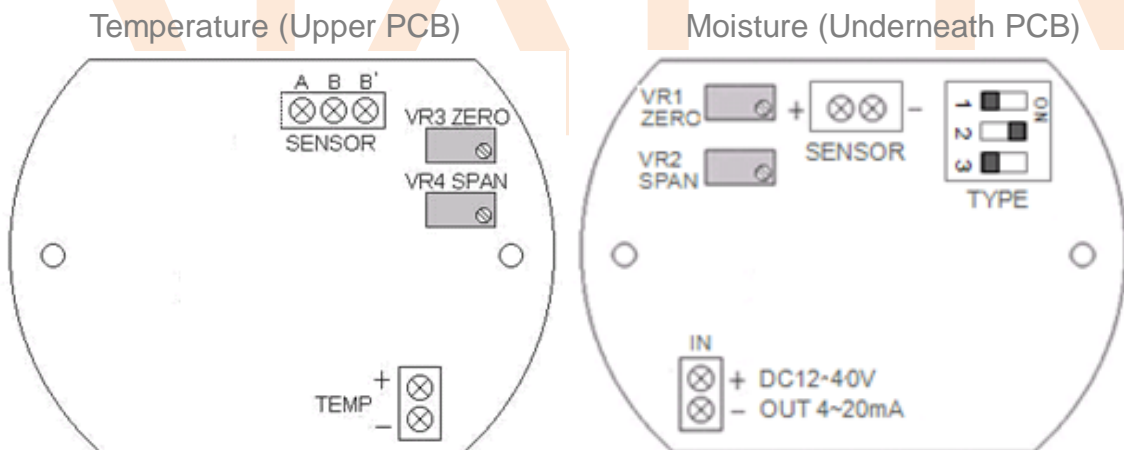


2. PCB

2.1 MTR-731 Soil Moisture transmitter



2.2 MTR-732 Soil Moisture & Temperature transmitter



3. Three ranges selectable:

- Range 1: Dryer or high density material.
- Range 2: Medium-density water in the material.
- Range 3: Wet or low density material.

4. Calibration

	ZERO	SPAN
Temperature (Upper PCB)	VR3	VR4
Moisture (Underneath PCB)	VR1	VR2